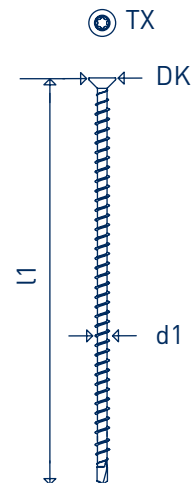




www.sihga.com

GoFix® S+



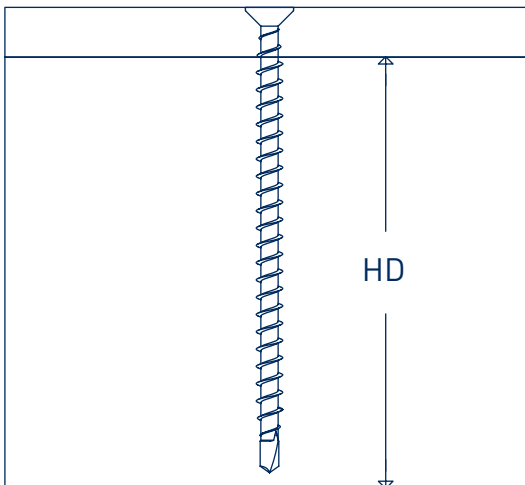
GoFix® S+

d1	l1	TX	DK
8,0	95	40	15
8,0	125	40	15
8,0	155	40	15
8,0	195	40	15
8,0	220	40	15
8,0	245	40	15
8,0	270	40	15
8,0	295	40	15
8,0	330	40	15
8,0	375	40	15
8,0	400	40	15
8,0	430	40	15
8,0	480	40	15

GoFix® S+ 8,0

SICHERHEIT IM HOLZBAU GARANTIERT AUSSERGEWÖHNLICHES

MA Nr. 38672/19/1



GoFix® S+

d1	l1	HD
8,0	95	100
8,0	125	130
8,0	155	160
8,0	195	200
8,0	220	230
8,0	245	250
8,0	270	280
8,0	295	300
8,0	330	340
8,0	375	380
8,0	400	410
8,0	430	440
8,0	480	490

9 009470 424065

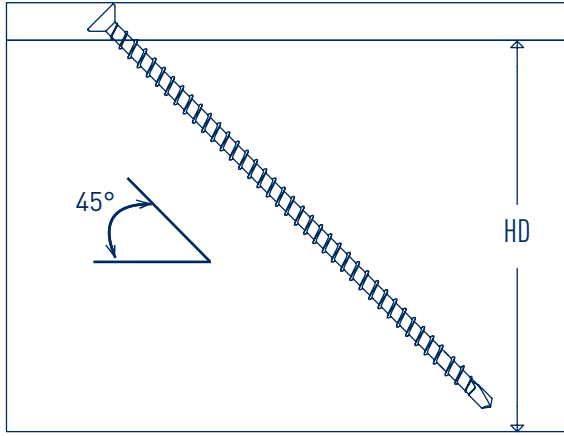
SIHGA APP

GET IT ON Google Play

Download on the App Store

TAKE THE BEST

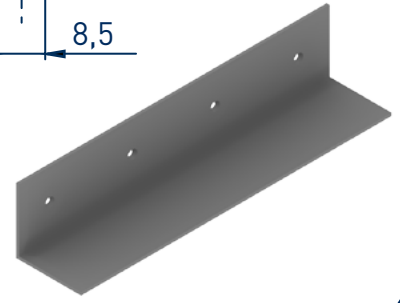
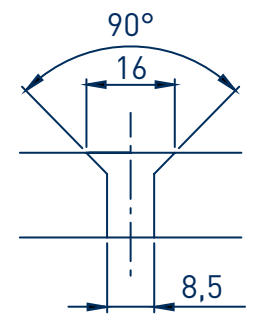




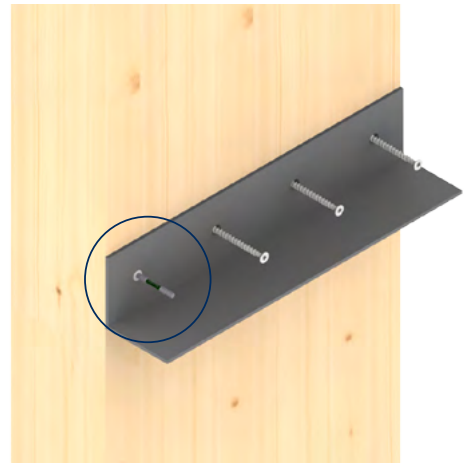
GoFix® S+

d1	l1	HD
8,0	95	70
8,0	125	95
8,0	155	115
8,0	195	145
8,0	220	165
8,0	245	180
8,0	270	200
8,0	295	215
8,0	330	240
8,0	375	270
8,0	400	290
8,0	430	310
8,0	480	345

1.



2.



3.



4.

