

JustiFix® II JM



JustiFix® II JM



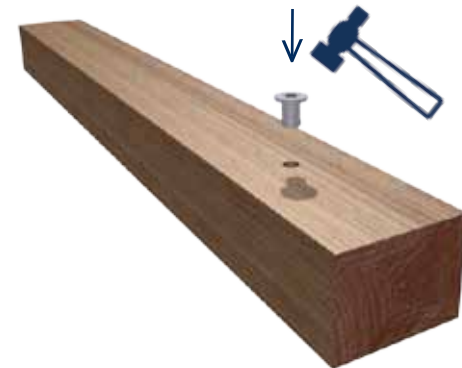
Type	J [mm]
JM 40	25 - 40
JM 60	25 - 60
JM 80	25 - 80

MA Nr. 38862/15/1

1.



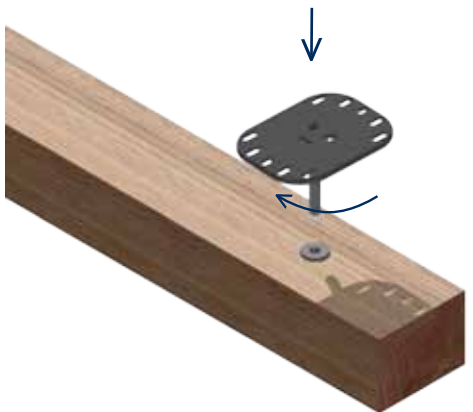
2.



TAKE THE BEST



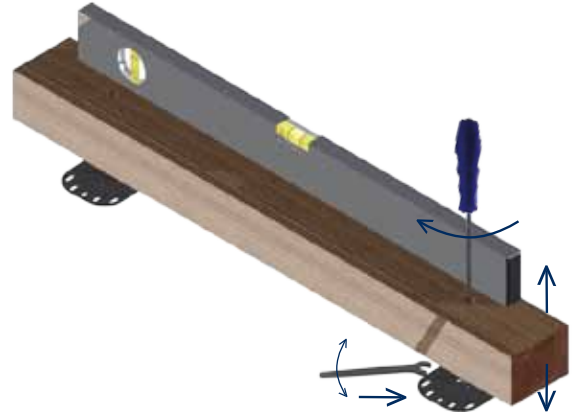
3.



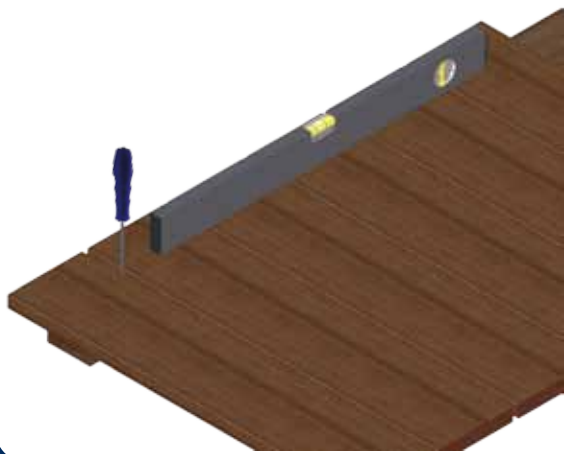
4.



5.



6.



7.



8.

