



Betsi®



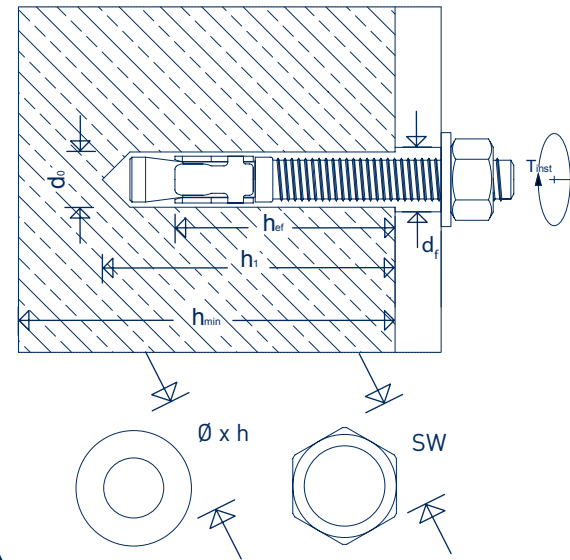
Betsi®



Stabebo®
SDS Bohrer



www.sihga.com



MA Nr. 38704/17/1

Mehr
Information
zum
Produkt!



Betsi®	AD	SW	Ø x h
d ₁ x L	[mm]	[mm]	[mm]
10,0 x 90	10 - 23	17	20 x 2,0
10,0 x 100	20 - 33	17	20 x 2,0
10,0 x 120	40 - 53	17	20 x 2,0
10,0 x 150	70 - 83	17	20 x 2,0
10,0 x 170	90 - 103	17	20 x 2,0
12,0 x 110	18 - 33	19	24 x 2,0
12,0 x 120	28 - 43	19	24 x 2,0
12,0 x 140	48 - 63	19	24 x 2,0
12,0 x 160	68 - 83	19	24 x 2,0
12,0 x 180	88 - 103	19	24 x 2,0

Betsi®	ETA 12/0594	
Ø	[mm]	M10 M12
h _{ef}	[mm]	55 65
d _o	[mm]	10 12
d _f	[mm]	12 14
h ₁	[mm]	75 85
h _{min}	[mm]	110 130
T _{inst}	[Nm]	35 60

TAKE THE BEST



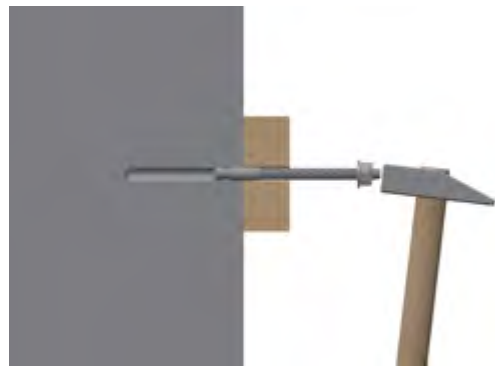
1.



2.



3.



4.

