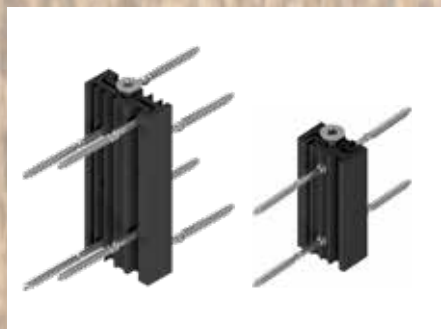


LamellenFix



LamellenFix /
LamellenFix small



© Thomas Gobauer

ETA-23/0821



SIHGA® Feature

YOUR Benefit

Connectors for façade slats on different substructures

Whether wood, steel or concrete, the connector can be fastened to almost any substrate

Node connection made of two identical parts (1 connection consists of 2 pieces)

Can be pre-assembled without confusion and on the slat in the factory

The first connector on the market that enables the simple and cost-efficient installation of wooden slats

Quick and visually very appealing way to mount wooden slats on façades

Thanks to the ingenious coupling of the connectors by means of a locking screw, LamellenFix mounted in series are loaded equally

The LamellenFix has a high assembly tolerance, as the connection can be made perfectly even with a layer difference (in a longitudinal direction) of up to 8 mm

The geometry of the connector profile ensures that the water drains off quickly

Structural wood protection was always taken into account in the development and thus offers a long construction service life

Developed, patented and manufactured in Austria

Highest European quality and added value

Statically loadable in five directions

horizontally, vertically and under tension with high tested static values

Made of aluminium under monitoring and anodised

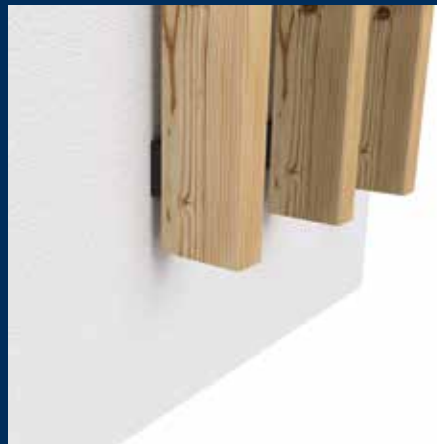
Durable, dimensionally stable quality, rust-free

All enclosed screws in stainless steel

Approved for use in NKL 3

Includes SIHGAFIX® and assembly instructions

Time-saving, practical, precise;
All accessories are included



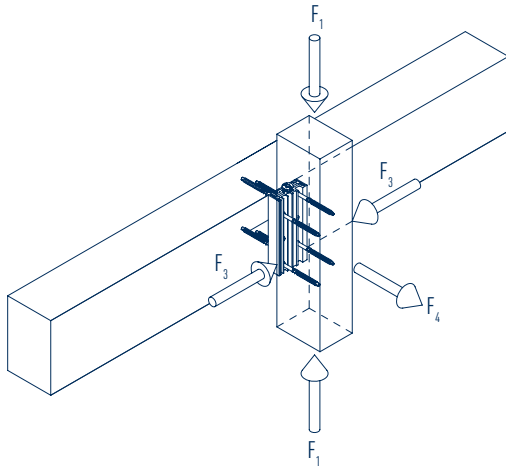
SIHGA® TIP:

The fixing screws for the respective substrate must be ordered separately.

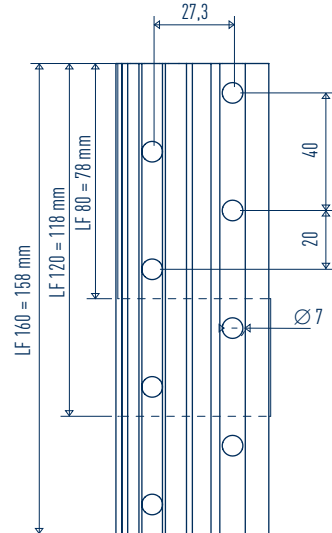
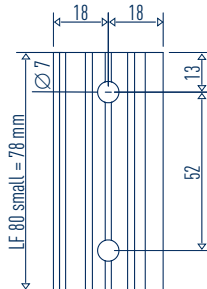
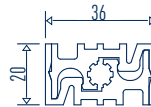
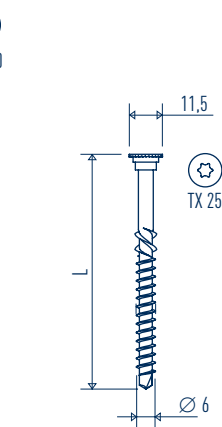
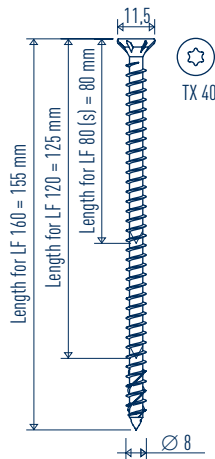
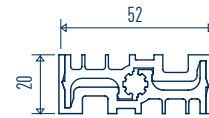
ETA-23/0821



LamellenFix



SIHGA®		Rated values (kN)		
LamellenFix		$F_{1,d}$	$F_{3,d}$	$F_{4,d}$
Type		Compressive force [kN]	Transverse force [kN]	Traction [kN]
80 small		2,36	1,18	3,87
80		4,46	3,10	5,08
120		7,67	3,92	5,71
160		12,90	4,66	8,29



Locking screw:
GoFix® S+ in stainless steel

Screwing of the wooden slat:
TeFix® in hardened stainless steel

LamellenFix small

LamellenFix

SIHGA®		Dimension		Slat		Substrate	
montagepack	LamellenFix	TeFix® in slat per connector		min. Width	min. Height (depth)	min. Height	min. Width (depth)
Art. No.	PU	Typ	Pcs. x \varnothing x L	[mm]	[mm]	[mm]	[mm]
31196	20*	80 small	2 x 6,0 x 70	40	65	80	65
31206	20*	80	4 x 6,0 x 80	60	80	80	80
31216	20*	120	4 x 6,0 x 80	60	80	120	80
31226	20*	160	6 x 6,0 x 80	60	80	160	80

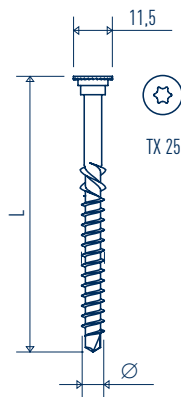
* Corresponds to 10 connections



Fastening for substructure

Substructure wood

TeFix® in hardened stainless steel



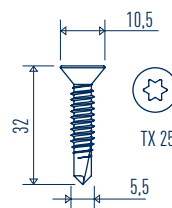
SIHGA®

TeFix® hardened stainless steel

Art. No.	Ø x L
54406 (small)	6,0 x 70
54416	6,0 x 80

Substructure steel up to 4 mm

Sheet metal screw in stainless steel hardened



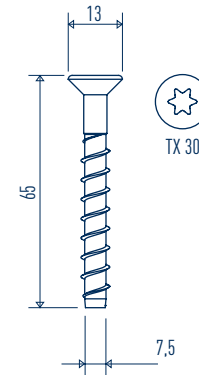
SIHGA®

Tapping screw,
hardened st/less steel

Art. No.
31306

Substructure concrete

Concrete anchor in stainless steel



SIHGA®

Concrete anchor A4

Art. No.
41906

The secure connector for architecturally and structurally demanding slatted facades

- best suited for slat dimensions of >40 x 65 mm
- few attachment points for large wooden slats
- simple, quick assembly
- 4 screws are required per LamellenFix for mounting on the substructure (2 screws for LamellenFix small)
- If other fastening screws are required for a specific project, this can be calculated and approved by SIHGA Technik if necessary

LamellenFix template

SIHGA® Feature

For all LamellenFix models

Automatically finds the centre of the slat or substructure

The template can be clamped onto the horizontally mounted substructure and the LamellenFix inserted

Developed and produced in Austria

YOUR Benefit

For the rational and precise assembly of Apply LamellenFix to the slat and to the substructure

By moving the two side parts towards each other, the parallelogram closes and centres the template on the component

You have both hands free for screwing

Superlative European quality and added value

SIHGA®

LamellenFix template

Art. No.

31716

SIHGA®

DUO Bit TX 40, 350 mm

Art. No.

31821

SIHGA®

LamellenFix small extension kit

Art. No.

31712



LamellenFix template



Stencil extension kit



SIHGA® TIP:

When inserting the self-tapping screw into the LamellenFix, we strongly recommend using the DUO Bit TX 40, 350 mm length, as this is indispensable in various installation situations.

See LamellenFix application, page 43.



LamellenFix application

