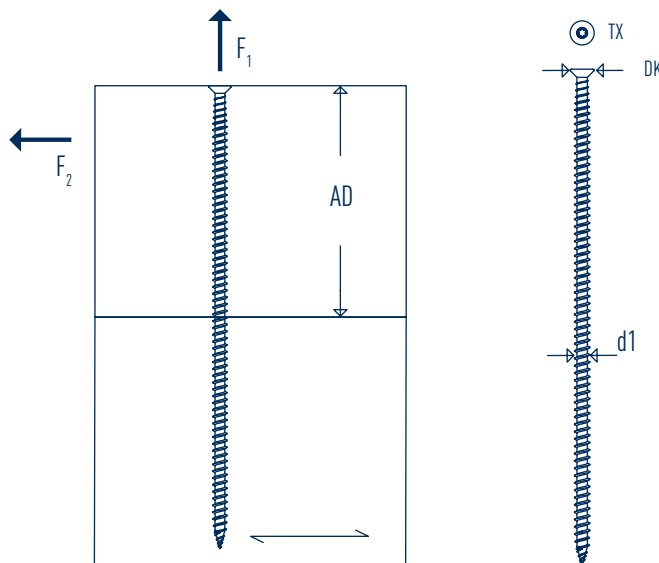
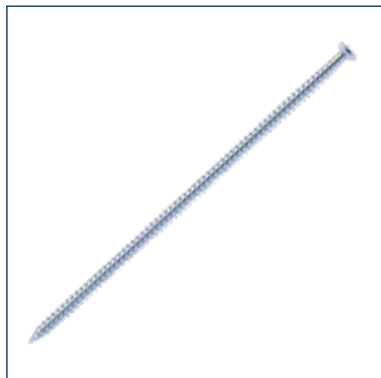


GoFix[®] SS

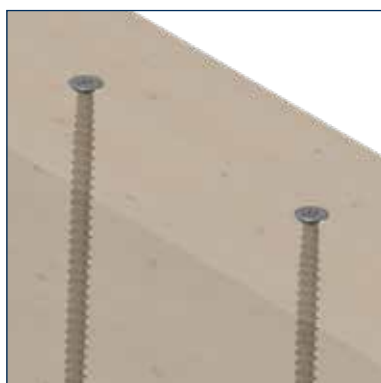
TECHNICAL DATA SHEET



Dimension [mm]		
GoFix [®] SS		
d1	TX	DK
11,3	50	18

SIHGA [®]		Dimension GoFix [®] SS d1 x L	Installation Part Thickness Wood AD [mm]	Characteristic Values*	
montagepack	PU			Tensile Force F ₁ [kN]	Shear Force F ₂ [kN]
25336	50	11,3 x 300	150	18,90	12,33
25346	50	11,3 x 340	170	21,51	12,98
25206	50	11,3 x 380	190	24,11	13,63
25216	50	11,3 x 420	210	26,72	14,28
25226	50	11,3 x 460	230	29,33	14,94
25236	50	11,3 x 500	250	31,93	15,21
25246	50	11,3 x 540	270	34,54	15,21
25256	50	11,3 x 580	290	37,15	15,21
25266	50	11,3 x 620	310	39,75	15,21
25276	50	11,3 x 660	330	42,36	15,21
25286	50	11,3 x 700	350	44,97	15,21
25296	50	11,3 x 750	375	48,23	15,21
25306	50	11,3 x 800	400	50,00	15,21
25316	50	11,3 x 900	450	50,00	15,21
25326	50	11,3 x 1000	500	50,00	15,21

* characteristic values for dimensioning according to EC 5 and strength class C 30 (ρ_k 380 kg/m³)



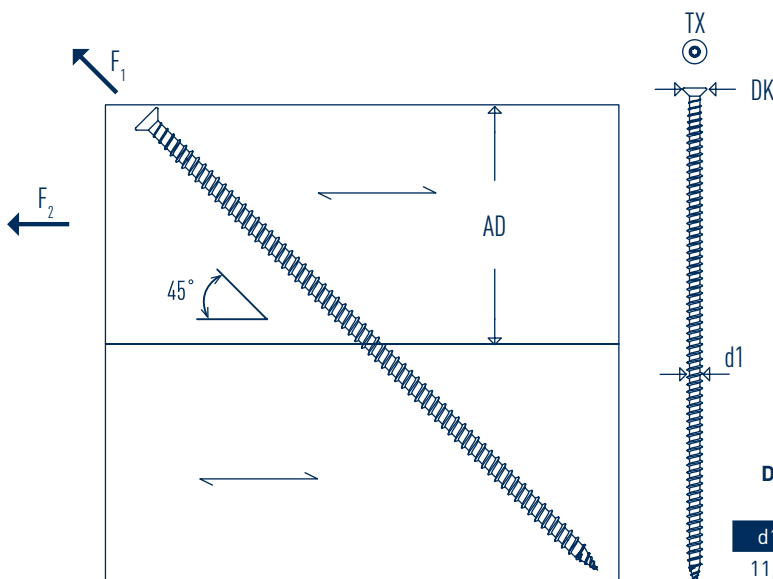
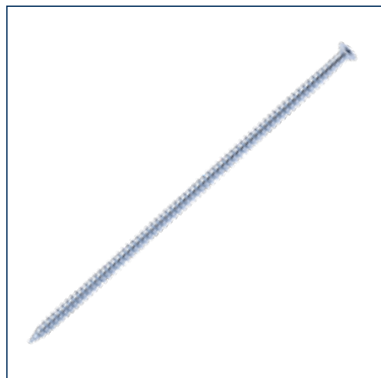
DETAILS

- extremely high thread load-bearing capacity of up to 50 kN and up to 1000 mm
- ideal for reinforcements in timber engineering and for large glued laminated timber beams or for fastening steel parts onto wooden beams, replaces threaded rods
- made from hardened carbon steel
- additional pre-drilling, with GoFix[®] SS Ø 11,3 mm with 8,0 mm (for lightweight screw and powerful fastening with low screw-in torque)



GoFix[®] SS

TECHNICAL DATA SHEET



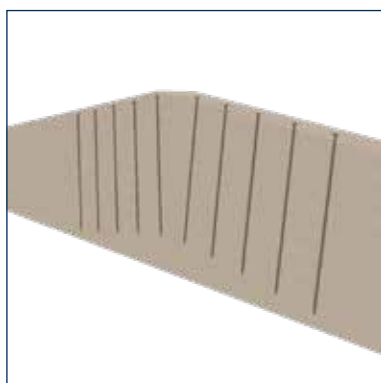
Dimension [mm]

GoFix[®] SS

d1	TX	DK
11,3	50	18

SIHGA [®] montagepack		Dimension GoFix [®] SS	Installation Part Thickness Wood AD [mm]	Characteristic Values*	
Art. No.	PU	d1 x L		Tensile Force F ₁ [kN]	Shear Force F ₂ [kN]
25336	50	11,3 x 300	110	18,90	13,36
25346	50	11,3 x 340	120	21,51	15,21
25206	50	11,3 x 380	140	24,11	17,05
25216	50	11,3 x 420	150	26,72	18,89
25226	50	11,3 x 460	170	29,33	20,74
25236	50	11,3 x 500	180	31,93	22,58
25246	50	11,3 x 540	200	34,54	24,42
25256	50	11,3 x 580	210	37,15	26,27
25266	50	11,3 x 620	220	39,75	28,11
25276	50	11,3 x 660	240	42,36	29,95
25286	50	11,3 x 700	250	44,97	31,80
25296	50	11,3 x 750	270	48,23	34,10
25306	50	11,3 x 800	290	50,00	35,36
25316	50	11,3 x 900	320	50,00	35,36
25326	50	11,3 x 1000	360	50,00	35,36

* characteristic values for dimensioning according to EC 5 and strength class C 30 (pk 380 kg/m³)



DETAILS

- extremely high thread load-bearing capacity of up to 50 kNn and up to 1000 mm
- ideal for reinforcements in timber engineering and for large glued laminated timber beams of for fastening steel parts onto woodenbeams, replaces threaded rods
- made from hardened carbon steel
- additional pre-drilling, with GoFix[®] SS Ø 11,3 mm with 8,0 mm (for lightweight screw and powerful fastening with low screw-in torque)

