

TeFix®

TECHNICAL DATA SHEET

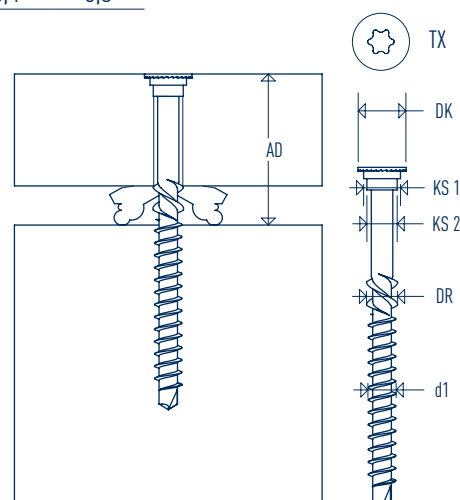


SIHGA® montagepack		Dimension TeFix®	Installation Part AD [max]
Art. No.	PU	d1 x L	[mm]
54316	200	5,0 x 45*	18
54326	200	5,0 x 50*	24
54336	200	5,0 x 60*	27
54346	200	5,0 x 70*	30
54356	200	5,0 x 80*	34
54366	200	5,0 x 90*	37
54376	200	5,0 x 100*	40
54406	100	6,0 x 70	30
54416	100	6,0 x 80	34
54426	100	6,0 x 90	37
54436	100	6,0 x 100	40
54446	100	6,0 x 120	52

* also available with SC 9 coating

Dimensions [mm]

d1	TX	DK	KS 1	KS 2	DR
5,0	20	8,5	6,5	5,4	5,2
6,0	25	11,5	8,2	6,4	6,3



DETAILS

- made of hardened stainless steel
- fastens wood to wood without pre-drilling and countersinking
- prevents the formation of cracks or splitting in almost all hardwood and thermo-wood; saves working time
- pre-drills the boards at 5 mm; the wood can thus swell and shrink

