

GoFix[®] X+

SIHGA[®]



GoFix[®] X+ made from
hardened carbon steel

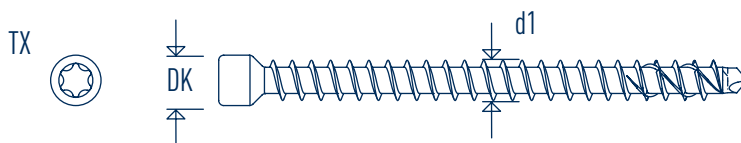
ETA-11/0425



SIHGA® Feature

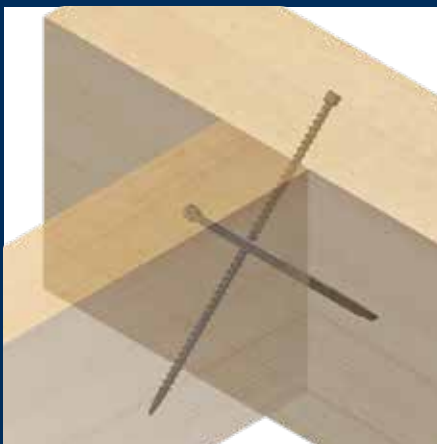
YOUR Benefit

fastens blunt wood connections extremely quickly	transfers high tensile, compressive and shearing forces
made from hardened carbon steel	the permanent, secure and powerful fastening
screwing permissible from 0° up to 90° to the grain	fastens with all screw-in angles
SIHGA® drill bit	for stress-free, easy rotation, enables small edge and axial distances
pre-drilling also permitted, for GoFix® X+ \varnothing 6.5 mm with 4 mm, with \varnothing 8.0 mm with 5 mm, with \varnothing 10.0 mm with 6 mm	for renovating old timber or hard timber
stepless counter sinking screw head with deep, recessed drive	can be countersunk, without splitting effect in the wood and without the drive skipping out of the head
strengthens constructive wood construction	support reinforcements, anchor beams (combined bending girder), notches, transverse force reinforcements can therefore be produced quickly and individually
optimised thread	for lightweight screw connections with low screw-in torque
including SIHGAFIX®, Systemstift® and installation instructions	time-saving, practical, precise, complete accessories enclosed



Dimension [mm]

GoFix® X+		
d1	TX	DK
6,5	30	8,0
8,0	40	10,0
10,0	50	13,0



SIHGA® TIP:

For precise and fast series production of cross screw connections we recommend the professional installation aid. For easier screw-in, use screw-in assistance GoFix® ESH 8.

SIHGA® Feature

design values

including SIHGAFIX®, Systemstift® and installation instructions

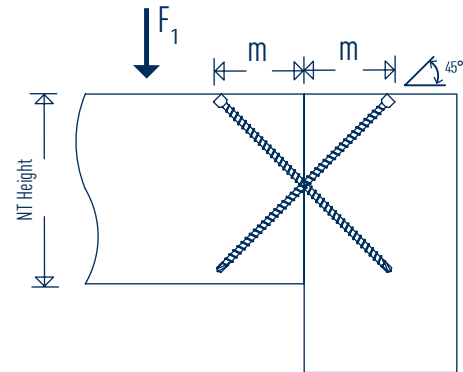
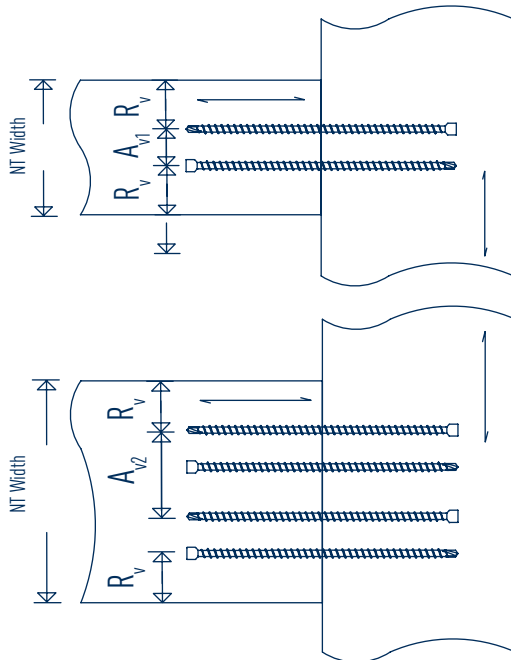
calculation

YOUR Benefit

SIHGA® performs the calculation for you

time-saving, practical, precise, complete accessories enclosed

S³ software download at www.sihga.com



Dimension [mm]

GoFix® X+					
d1	TX	DK	R _v	A _{v1}	A _{v2}
6,5	30	8,0	20	10	33
8,0	40	10,0	24	12	40
10,0	50	13,0	30	15	50

SIHGA® montagepack	Dimension GoFix® X+	Secondary Beam NT Height	Assembly Dimensions m	Shear Force F ₁ - 1 pair			Shear Force F ₁ - 2 pair			
				NT Width min.	Char. Values*	Design Values**	NT Width min.	Char. Values*	Design Values**	
Art. No.	PU	d1 x L	min. [mm]	[mm]	[mm]	[kN]	[kN]	[mm]	[kN]	[kN]
42066	150	6,5 x 195	140	70	60	12,33		85	24,65	
42246	75	8,0 x 220	160	80	64	14,85		100	29,70	
42256	75	8,0 x 245	180	90	64	16,62		100	33,23	
42276	75	8,0 x 295	220	110	64	20,15		100	40,31	
42286	75	8,0 x 330	240	120	64		15,89	100		31,78
42296	75	8,0 x 375	270	135	64		15,89	100		31,78
42306	75	8,0 x 400	290	145	64		15,89	100		31,78
42316	75	8,0 x 430	310	155	64		15,89	100		31,78
42326	75	8,0 x 480	350	170	64		15,89	100		31,78
42666	50	10,0 x 300	220	110	75	23,58		125	47,16	
42676	50	10,0 x 330	240	120	75	26,02		125	52,04	
42686	50	10,0 x 360	260	130	75	28,46		125	56,92	
42696	50	10,0 x 400	290	145	75		22,43	125		44,86
42706	50	10,0 x 450	320	160	75		22,43	125		44,86
42716	50	10,0 x 500	360	180	75		22,43	125		44,86
42726	50	10,0 x 550	400	200	75		22,43	125		44,86
42736	50	10,0 x 600	430	215	75		22,43	125		44,86

Subject to technical modifications and errors. Status of approval 2026

* characteristic values for measurement according to EC 5, bulk density $\rho_k = 350 \text{ kg/m}^3$ (C24)

** design values according to EC 3 due to buckling ($\gamma_m = 1.1$ already considered)



SIHGA® Feature

design values

including SIHGAFIX®, Systemstift® and installation instructions

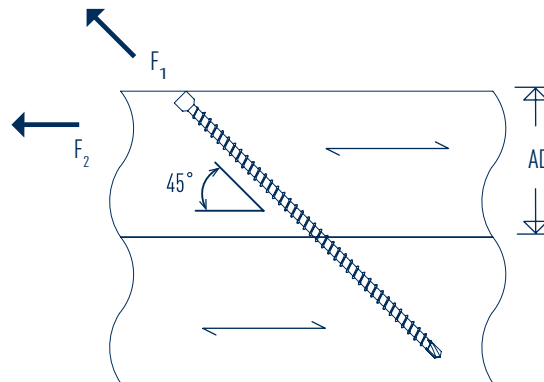
calculation

YOUR Benefit

SIHGA® performs the calculation for you

time-saving, practical, precise, complete accessories enclosed

S³ software download at www.sihga.com



SIHGA® montagepack		Dimension GoFix® X+	Installation Part Thickness Wood	Characteristic Values*	
Art. No.	PU	d1 x L	AD [mm]	Tensile Force F ₁ [kN]	Shear Force F ₂ [kN]
42026	150	6,5 x 120	45	5,54	3,92
42036	150	6,5 x 140	50	6,55	4,63
42046	150	6,5 x 160	60	7,56	5,34
42066	150	6,5 x 195	70	9,32	6,59
42226	75	8,0 x 155	60	7,25	5,13
42236	75	8,0 x 195	70	9,25	6,54
42246	75	8,0 x 220	80	10,50	7,42
42256	75	8,0 x 245	90	11,75	8,31
42276	75	8,0 x 295	105	14,25	10,08
42286	75	8,0 x 330	120	16,00	11,31
42296	75	8,0 x 375	135	18,25	12,90
42306	75	8,0 x 400	145	19,50	13,79
42316	75	8,0 x 430	155	21,00	14,85
42326	75	8,0 x 480	170	23,50	16,62
42666	50	10,0 x 300	110	16,68	11,79
42676	50	10,0 x 330	120	18,40	13,01
42686	50	10,0 x 360	130	20,13	14,23
42696	50	10,0 x 400	145	22,43	15,86
42706	50	10,0 x 450	160	25,30	17,89
42716	50	10,0 x 500	180	28,18	19,92
42726	50	10,0 x 550	195	31,05	21,96
42736	50	10,0 x 600	215	33,00	23,33

Subject to technical modifications and errors. Status of approval 2026

* characteristic values for measurement according to EC 5, bulk density $\rho_k = 350 \text{ kg/m}^3$ [C24]

ETA-11/0425



SIHGA® Feature

design values

including SIHGAFIX®, Systemstift® and installation instructions

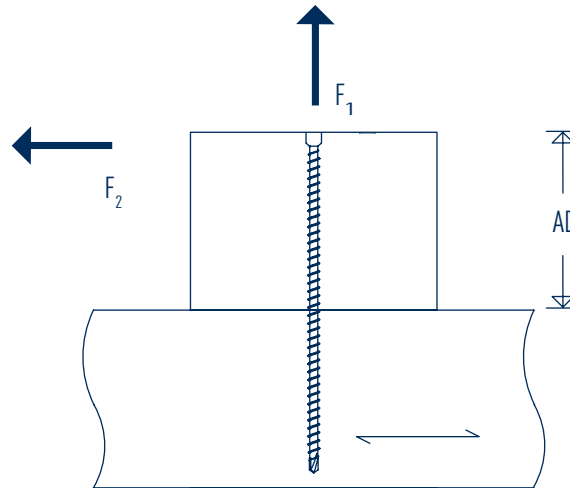
calculation

YOUR Benefit

SIHGA® performs the calculation for you

time-saving, practical, precise, complete accessories enclosed

S³ software download at www.sihga.com



SIHGA® montagepack		Dimension GoFix® X+	Installation Part Thickness Wood	Characteristic Values 90°*	
Art. No.	PU	d1 x L	AD [mm]	Tensile Force F ₁ [kN]	Shear Force F ₂ [kN]
42026	150	6,5 x 120	60	5,54	3,62
42036	150	6,5 x 140	70	6,55	3,87
42046	150	6,5 x 160	80	7,56	4,12
42066	150	6,5 x 195	100	9,32	4,56
42226	75	8,0 x 155	80	7,20	4,97
42236	75	8,0 x 195	100	9,20	5,47
42246	75	8,0 x 220	110	10,45	5,78
42256	75	8,0 x 245	125	11,70	6,09
42276	75	8,0 x 295	150	14,20	6,72
42286	75	8,0 x 330	170	15,95	7,16
42296	75	8,0 x 375	190	18,20	7,72
42306	75	8,0 x 400	200	19,45	8,03
42316	75	8,0 x 430	215	20,95	8,41
42326	75	8,0 x 480	240	23,45	9,03
42666	50	10,0 x 300	150	16,56	8,58
42676	50	10,0 x 330	170	18,29	9,01
42686	50	10,0 x 360	180	20,01	9,44
42696	50	10,0 x 400	200	22,31	10,02
42706	50	10,0 x 450	225	25,19	10,74
42716	50	10,0 x 500	250	28,06	11,45
42726	50	10,0 x 550	275	30,94	12,17
42736	50	10,0 x 600	300	33,00	12,69

Subject to technical modifications and errors. Status of approval 2026

* characteristic values for measurement according to EC 5, bulk density $\rho_k = 350 \text{ kg/m}^3$ (C24)



SIHGA® Feature

design values

including SIHGAFIX®, Systemstift® and installation instructions

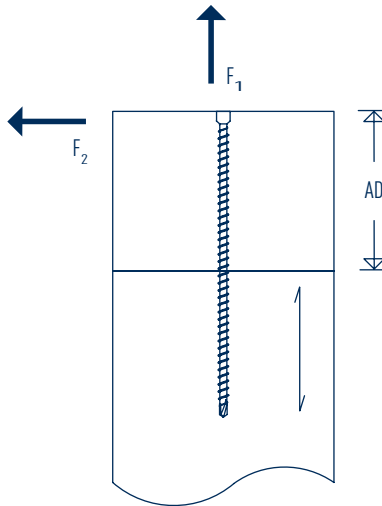
online calculation

YOUR Benefit

SIHGA® performs the calculation for you

time-saving, practical, precise, complete accessories enclosed

at www.sihga.com [support reinforcement, notches, anchor beam, breakout, main beam - secondary beam connection]



SIHGA® montagepack		Dimension GoFix® X+	Installation Part Thickness Wood	Characteristic Values 0**	
Art. No.	PU	d1 x L	AD [mm]	Tensile Force F ₁ [kN]	Shear Force F ₂ [kN]
42026	150	6,5 x 120	60	1,66	1,50
42036	150	6,5 x 140	70	1,96	2,04
42046	150	6,5 x 160	80	2,27	2,12
42066	150	6,5 x 195	100	2,80	2,25
42226	75	8,0 x 155	80	2,16	2,67
42236	75	8,0 x 195	100	2,76	2,82
42246	75	8,0 x 220	110	3,14	2,92
42256	75	8,0 x 245	125	3,51	3,01
42276	75	8,0 x 295	150	4,26	3,20
42286	75	8,0 x 330	170	4,79	3,33
42296	75	8,0 x 375	190	5,46	3,50
42306	75	8,0 x 400	200	5,84	3,59
42316	75	8,0 x 430	215	6,29	3,71
42326	75	8,0 x 480	240	7,04	3,89
42666	50	10,0 x 300	150	4,97	4,15
42676	50	10,0 x 330	170	5,49	4,28
42686	50	10,0 x 360	180	6,00	4,41
42696	50	10,0 x 400	200	6,69	4,58
42706	50	10,0 x 450	225	7,56	4,80
42716	50	10,0 x 500	250	8,42	5,01
42726	50	10,0 x 550	275	9,28	5,23
42736	50	10,0 x 600	300	10,14	5,44

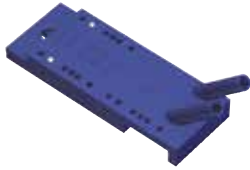
Subject to technical modifications and errors. Status of approval 2026

* characteristic values for measurement according to EC 5, bulk density $\rho_k = 350 \text{ kg/m}^3$ (C24)

ETA-11/0425



Equipment GoFix[®] X+



SIHGA[®] Feature

GoFix[®] X+ Setting Jig

with GoFix[®] X+ 6.5 and 8.0 mm

YOUR Benefit

For efficient and precise assembly of main beam-secondary beam connections



GoFix[®] X+ Mounting Bracket

with GoFix[®] X+ 6.5 and 8.0 mm

For the efficient and precise installation of secondary beams on columns



SIHGA[®] TIP:

GoFix[®] X+ can also be pre-drilled X+ 6.5 with \varnothing 4 mm, X+ 8.0 with \varnothing 5 mm.



System Kit GoFix[®] X+

with GoFix[®] X+ 6.5 and 8.0 mm with varying lengths

the professional installation aid, simplifies construction processes and saves time

developed, patented and made in Austria

top European quality and added-value

contains 1 GoFix[®] X+ Setting jig with 4 GoFix[®] X+ Beam holders and GoFix[®] fastening screws

for the rational and precise installation of main/secondary beams

contains 4 GoFix[®] X+ Mounting brackets

for the rational and precise installation of secondary beams on struts

includes SIHGA[®] DUO-Bit and Systemstift[®]

time-saving, practical, precise, complete accessories enclosed

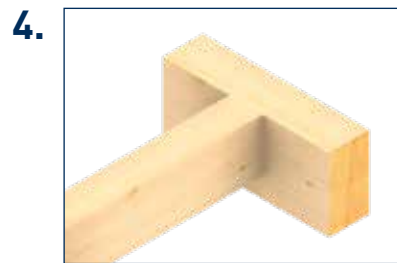
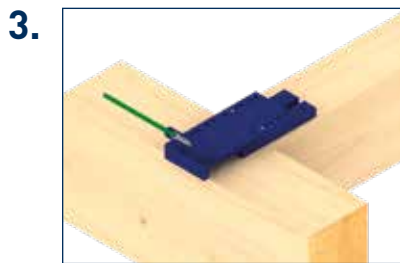
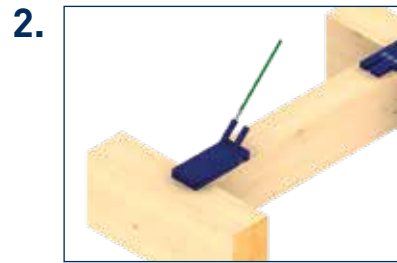
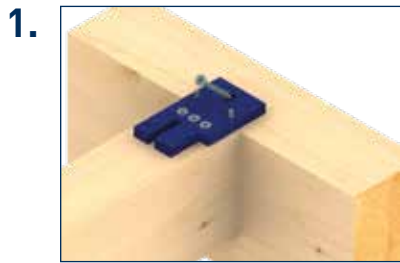


SIHGA[®] TIP:

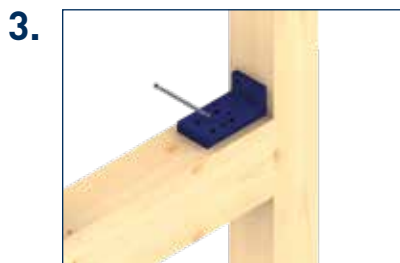
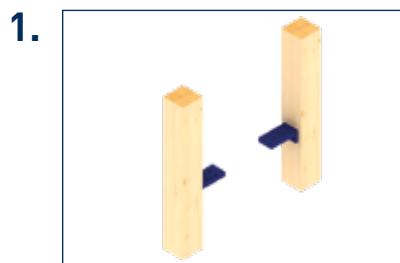
The System Kit GoFix[®] X+ contains a setting jig and mounting bracket, completely and portably combined with all accessories for practicality.

Application GoFix[®] X+

GoFix[®] X+ Setting Jig



GoFix[®] X+ Mounting Bracket



Application GoFix[®] X+ in Plywood Board

SIHGA[®] Feature

optimised geometry of the drill bit

screwing below 0 ° to the fibre allowed

special cylinder head

deep bit punching

YOUR Benefit

rapid attachment and simultaneous predrilling

can be installed in all layers and angles in plywood board

infinitely countersinking without splitting effect

prevents the SIHGAFIX[®] from slipping out



GoFix[®] X+ application by means of impact screwdriver

Tested by the University of Innsbruck

SIHGA[®] Feature

positive report for processing with impact screwdrivers

graph below shows comparison of screw-in methods

impact screwdriver brings benefits

YOUR Benefit

provides security

comparing the different screw-in methods

less strain on the wrist, even when working overhead

Extraction of the screw in relation to applied force

