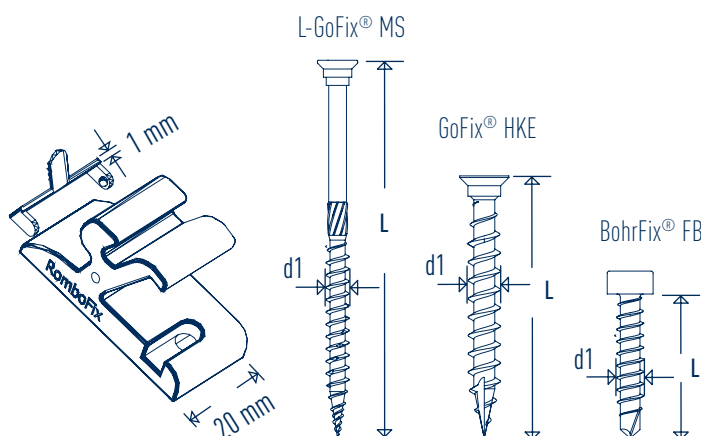
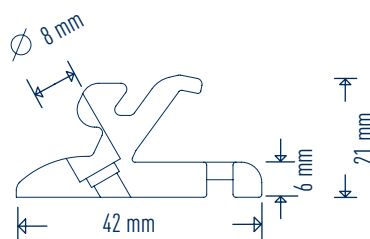


RomboFix® RF

TECHNICAL DATA SHEET



SIHGA®		Dimension				System Screws		Substructure
montagepack RomboFix®		Type	L	B	H	GoFix® HKE	BohrFix® FB	Height
Art. No.	PU	Type	L	B	H	d1 x L	d1 x L	[mm]
40416	100	RF 40	42	20	21	5,0 x 40	4,2 x 22	30 - 45
40406	100	RF 60	42	20	21	L-GoFix® MS	BohrFix® FB	> 45



DETAILS

- facade fastening, invisibly screwed
- compensatin clip integrated

calculation of quantity:
 calculated per m²: 1: Substructure distance [m]: (height rhombus beam [m] + joint [m])

ETA-18/0887

