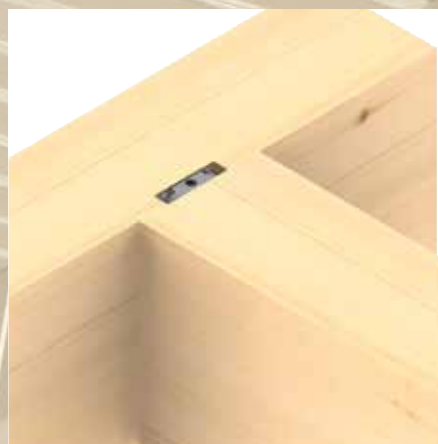


# HobaFix<sup>®</sup> HF

SIHGA<sup>®</sup>



HobaFix<sup>®</sup> HF



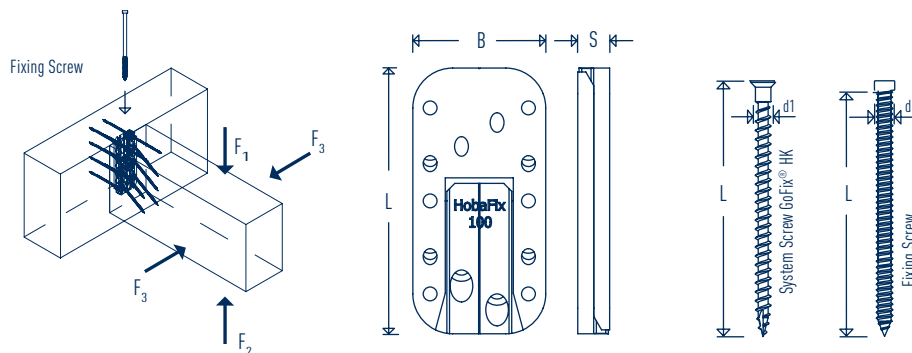
ETA-11/0135



## SIHGA® Feature

## YOUR Benefit

knot connection from two identical parts (one connection consists of two parts)	can be fully pre-fabricated without any risk of a mix-up
developed, patented and made in Austria	top European quality and added-value
statically highly loadable in four directions, per connection up to 48 kN	horizontally and vertically, with high tested static values, can be used irrespective of the grain direction
mounting connection with Hoba coupling	major advantage during installation, allows smooth insertion of the two components
monitored production from aluminium	permanent and dimensionally stable quality, rust-free
including fixing screw for securing	prevents inadvertent loosening of the connector
visible and invisible installation	only one model for the entire range, with shadow groove or invisible installation
includes SIHGAFIX®, all fastening and fixing screws, installation instructions	time-saving, practical, precise, complete accessories enclosed
design values	online calculation of main beams-secondary beams (HT/NT)
HFA test seal, externally monitored	Holzforschung Austria also confirms and monitors these high values



SIHGA® montagepack	HobaFix® HF	Dimension			Secondary Beam		Characteristic Values**				
		GoFix® HK	Fixing Screw	Width	Height	Load Direction [kN]					
Art. No.	PU	Type [L]	B	S	d1 x L	d1 x L	[mm]	[mm]	F <sub>1</sub>	F <sub>2</sub>	F <sub>3</sub>
30036	20*	<b>70</b>	30	9	4,0 x 60	4,2 x 50	50	80	6,80	2,04	4,40
30056	20*	<b>100</b>	50	12	5,0 x 80	4,8 x 80	80	115	17,40	8,56	10,60
30076	20*	<b>135</b>	50	12	5,0 x 80	4,8 x 120	80	150	26,70	8,56	15,00
30096	20*	<b>170</b>	50	12	5,0 x 80	4,8 x 120	80	185	33,40	8,56	16,00
30116	12*	<b>200</b>	70	17	6,0 x 100	6,3 x 180	100	220	43,00	17,07	22,70
30126	12*	<b>240</b>	70	17	6,0 x 100	6,3 x 180	100	260	48,30	17,07	23,80

\*equal to 10 or 6 connections

\*\* characteristic values for dimensioning according to EC 5 and strength class C 24 (pk 350 kg/m³)



### SIHGA® TIP:

For easier dimensioning use our HT-NT Tool online at [www.sihga.com](http://www.sihga.com).  
Not all bores have to be screwed on. Follow the assembly instructions.



# System Kit HobaFix® HF

## SIHGA® Feature

for all HobaFix® HF models

contains 1 HobaFix® milling and assembly template HFFM, 1 HobaFix® milling cutter with stop ring HFF and fastening screws, allen key and Systemstift®

## YOUR Benefit

the professional installation aid simplifies construction processes and saves time, milling and assembly templates are fully and portably combined with all accessories for practicality

for the rational and precise installation of knot connections



**HobaFix® Milling and Assembly  
Template HFFM**



**HobaFix® Milling Cutter  
with stop ring HFF**



ETA-11/0135



# Application Hobafix<sup>®</sup> HF

