

# GleitFix® GF

SIHGA®



GleitFix® GF



## SIHGA® Feature

## YOUR Benefit

fastens planks invisibly screwed; developed, patented and made in Austria  
planks remain undamaged on all visible surfaces

elegant look and long-lasting fastening

a product for almost every type of wood, reduces storage costs  
(List of wood types at [www.sihga.com](http://www.sihga.com))

timber is screwed from below, this results in a longer lifespan and prevents rot, as well as direct weathering

special compensation system compensates for the natural swelling and shrinkage of the planks

very large range of applications

only one system for plank widths from 90 to 150 mm

reduces the crack and break behaviour of the timber during these natural processes

tested stainless steel system screws with drill bit enclosed

suitable for all plank widths

made of SIHGAMID, the glass fibre reinforced plastic

only one system for timber and aluminium substructure; avoids hairline cracks on the top side of the plank

optionally also with tested stainless steel system screws with drill bit in A4 (GleitFix® GF CS)

extremely heat-, frost- and UV-resistant

selection of three screw lengths

stainless steel A4 BohrFix® screws for increased risk of corrosion when exposed to salt and chlorine  
optimised fastening of varying plank thicknesses from 19 mm

variable adjustment of the visible joint (0 - 15 mm)

suitable for every developer, FugiFix® is the ideal assistant here (page 80)

HFA inspected in combination with larch, thermo ash and Accoya

for details please see page 66



### SIHGA® TIP:

As substructure we recommend using TefaFix® T and noting the design recommendations (page 64).



## SIHGA® Feature

connector height with 8 mm for optimal ventilation

with joint spacing  $\geq 8$  mm

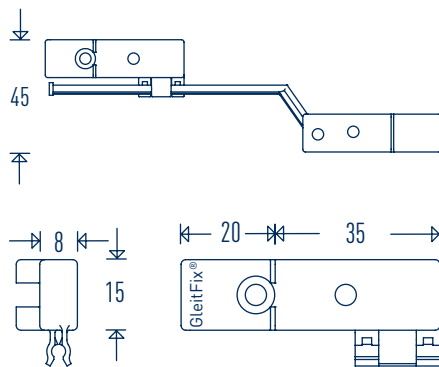
includes SIHGAFIX® stainless steel, from hardened stainless steel BohrFix® FB with drill bit and installation instructions

## YOUR Benefit

ensures optimum constructive wood protection;  
prevents accumulations of water between the plank and substructure

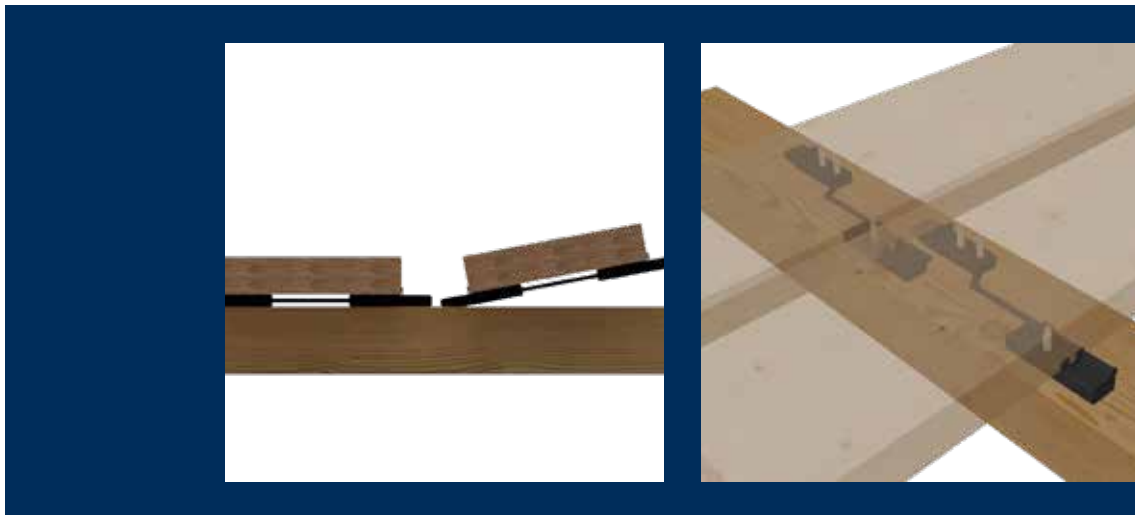
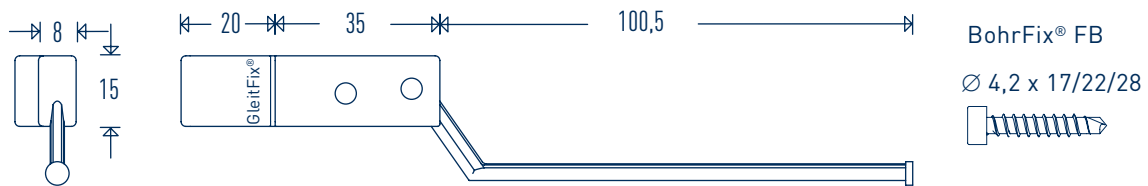
individual planks can be disassembled or replaced

no rust from external sources, screws do not shear or break; time-saving, practical, precise, all accessories are enclosed



SIHGA® objektpack®		Dimension GleitFix® GF	Plank Thickness mind.	Average Quantity / m <sup>2</sup> *
Art. No.	PU	Type	[mm]	Pieces
34419	150	<b>GF 17</b>	19	16
34449	150	<b>GF 22</b>	24	16
34479	150	<b>GF 28</b>	30	16
34519	150	<b>GF 17 CS</b>	19	16
34549	150	<b>GF 22 CS</b>	24	16
34579	150	<b>GF 28 CS</b>	30	16

\*assuming: Axial distance substructure = 0.5 m and plank width = 12 cm  
calculation of quantity = m<sup>2</sup> : distance substructure [m] : [width terrace plank + joint [m]]



### SIHGA® TIP:

For fastening start and end planks we recommend GleitFix® AE.

