

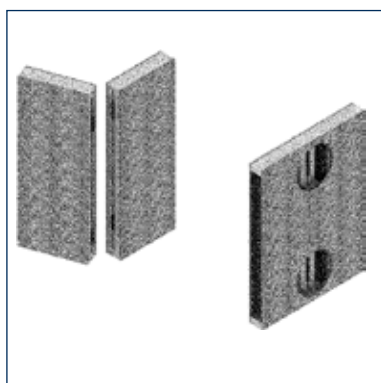
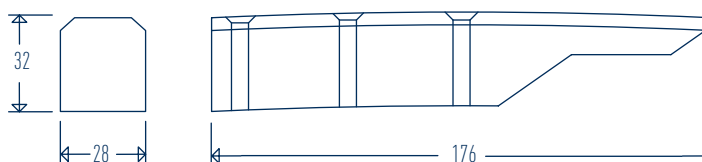
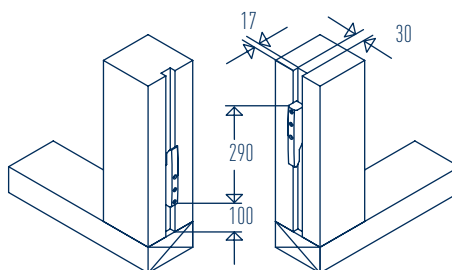
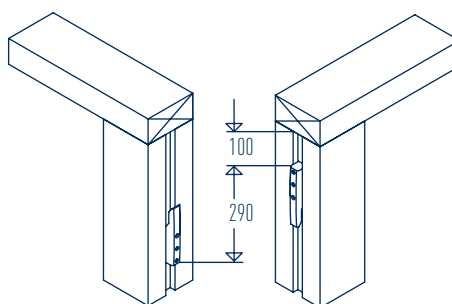
# HobaFix<sup>®</sup> HFM

## TECHNICAL DATA SHEET



SIHGA <sup>®</sup>		Dimension			Chamfer		System Screws
montagepack		HobaFix <sup>®</sup> HFM			Depth	Width	GoFix <sup>®</sup> SK
Art. No.	PU	L	B	H	[mm]	[mm]	d1 x L
30306	12*	176	28	32	17	30	6,0 x 70

\* corresponds to 6 connections



### DETAILS

- for wall connections, corner connections, partition walls and privacy fence elements
- the installation connector for mounting
- made from polyamide
- the static load per pair of connectors is characteristically 8.5 kN

