

# System Pick Engel®

SIHGA®



Pick PSA



Helixon-S safety equipment  
for heights

## SIHGA® Feature

tested product combination to protect in case of low height falls

applicable as a safety team: two Pick PSA and two Helixon-S height protection devices tested as a system

versatile in use

simple and safe installation

Helixon-S safety equipment for heights, with FA 50 203 20 connecting element including fall indicator, a carry handle and an external fall impact absorber

integrated braking system for a collision force of less than 6kN

Swivel hook and connecting element FA 50 101 17 to attach to the Pick PSA

high load-bearing capacity possible

## YOUR Benefit

also safeguard yourself and your employees from an often underestimated low height fall of  $\geq 2.00$  m

reliable and immediately useable fall protection

applicable when erecting construction elements, placing ceiling elements and various loading activities

the worker is protected with fewer handgrips

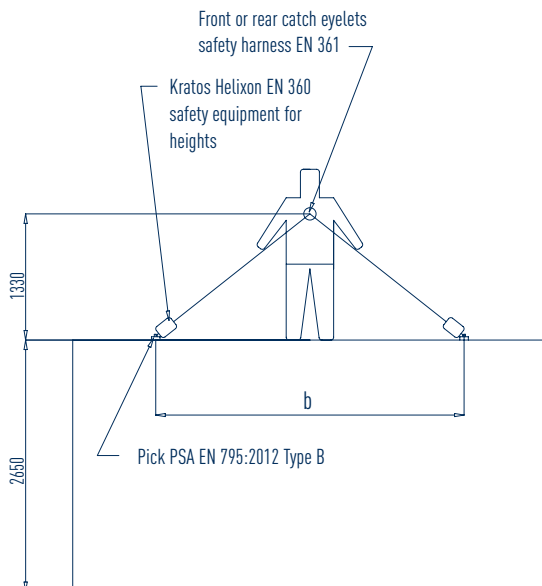
safety equipment for heights ready to use, all important functions are integrated

Helixon-S safety equipment for heights conformity with EN 360:2002

tested for up to 100 kg body weight

SIHGA®		Safety Equipment for Heights	Strap	Max.	Weight
montagepack		Helixon-S	Width	Body Weight	Helixon-S
Art. No.	PU	[m]	[mm]	[kg]	[kg]
43596	1	<b>3,5</b>	25	100	1,74

h	h1	b
200	65	<b>155</b>
210	75	<b>179</b>
220	85	<b>203</b>
230	95	<b>226</b>
240	105	<b>250</b>
250	115	<b>274</b>
260	125	<b>298</b>
270	135	<b>322</b>
280	145	<b>346</b>
290	155	<b>369</b>
300	165	<b>393</b>



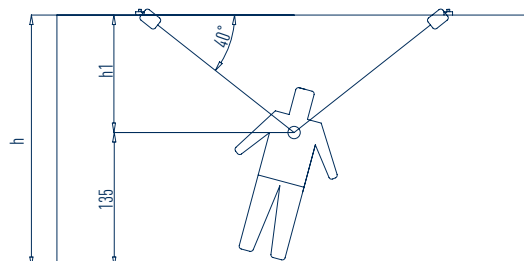
$$h1 = h - 135\text{cm}$$

$$b = \frac{2 \times h1}{\tan(40^\circ)}$$

Example:

$$h1 = 265 - 135 = 130\text{cm}$$

$$b = \frac{2 \times 130}{\tan(40^\circ)} = 310\text{ cm}$$



### SIHGA® TIP:

For your safety, use the combination exclusively with the Pick PSA.