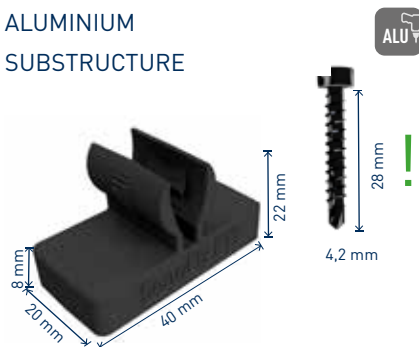


# SenoFix® FT

## TECHNICAL DATA SHEET

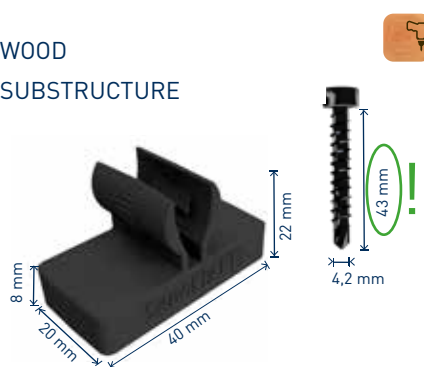


### ALUMINIUM SUBSTRUCTURE

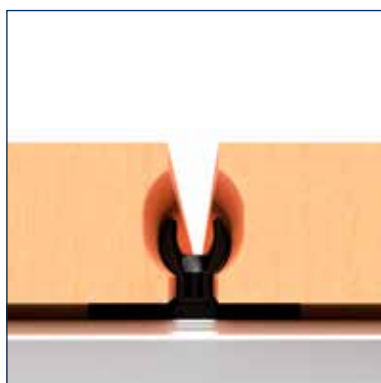


### Facade Application

### WOOD SUBSTRUCTURE



### Terrace Application



Plank Thickness 20 - 30 mm

**Optional accessories: SIHGAFIX®  
TX 20, 77mm & TTB**

### DETAILS

- or untreated, profiled wooden planks released by SIHGA® screwed fastening for floorboards only in the joint with the SenoFix® FT, cover- and lateral surfaces of the boards remain unharmed
  - connector height per the latest state of the art
- quantity calculation per m<sup>2</sup>:  
 $1 : \text{substructure spacing [m]} : (\text{board width [m]} + \text{joint [m]})$

