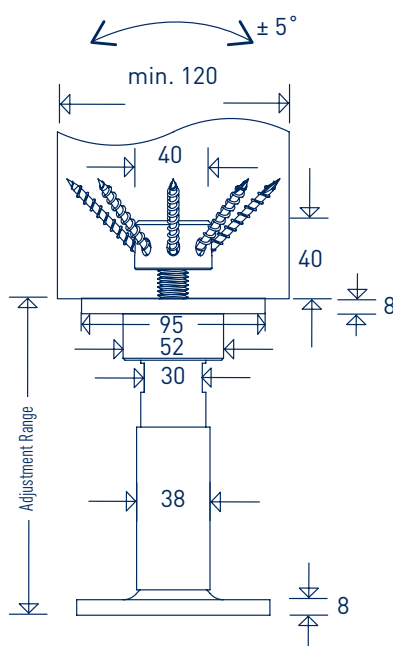


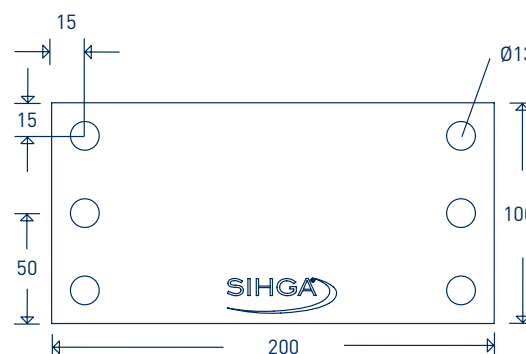
Herakulix[®] XL

TECHNICAL DATA SHEET



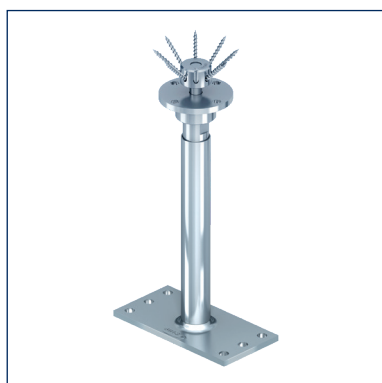
Legend:

XS	X-Small	R	Rectangular Base Plate
S	Small	Q	Square Base Plate
M	Medium	K	Circular Base Plate
L	Large	I	IdeFix [®]
XL	X-Large	G	GoFix [®]
		B	Concrete (for setting in concrete)
		N	Adjustable Inclination



SIHGA [®] Herakulix [®] Wood Connection Adjustment Range					Design Values		Character. Values**	
objektpack [®]				Height [mm]		Compressive Force [kN]	Shear Force [kN]	Tensile Force [kN]
Art. No.	PU	Type	Type	from	to	$R_{c,d}$	$R_{v,d}$	$R_{t,k}$
51567	5	XL RI 40	IdeFix [®] IFK 406	340	460	89,09	1,6	29,00

** characteristic values for design according to EC 5 and strength class C 24 (pk 350 kg/m³)



DETAILS

- integrated inclination compensation of up to $\pm 5^\circ$ in all directions
- two-part system with a short retraction path
- permissible for use in areas exposed to weather (Usage Class (NKL) 3)
- allows individual anchoring and unimpeded 90° drilling

ETA-18/0886

