

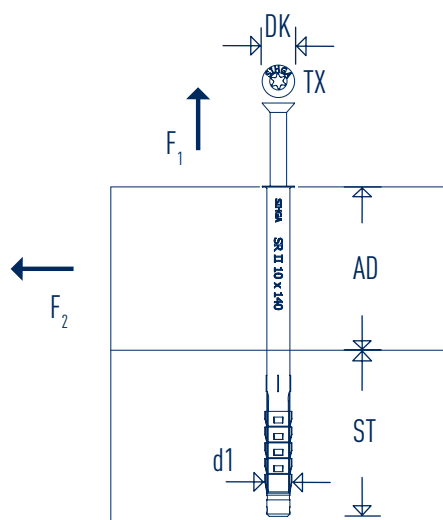
BeziFix® SR II

TECHNICAL DATA SHEET



SIHGA® montagepack Hozibo®	SIHGA® montagepack Stabebo	Dimension BeziFix® SR II	Installation Part AD
Art. No.	Art. No.	PU	d1 x L [mm]
32016	32516	50	10 x 80
32026	32526	50	10 x 100
32036	32536	50	10 x 120
32046	32546	50	10 x 140
32056	32556	50	10 x 160
32066	32566	50	10 x 180
32076	32576	50	10 x 200
32086	32586	50	10 x 230
32096	32596	50	10 x 260

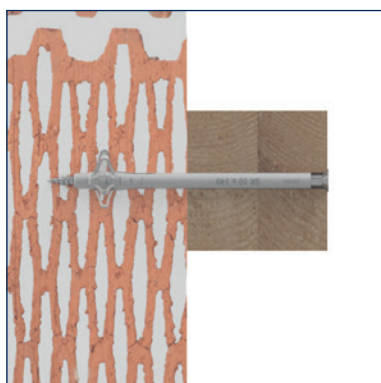
Min. setting depth of 60 mm in load-bearing wall
HLZ = hollow brick



Dimension BeziFix® SR II	Installation Part AD [mm]	Characteristic Values	
d1 x L	[mm]	Tension F_1 / Transverse F_2 HLZ [kN]	Tension F_1 / Transverse F_2 Beton [kN]
10 x 80	20	0,90	3,00
10 x 100	40	0,90	3,00
10 x 120	60	0,90	3,00
10 x 140	80	0,90	3,00
10 x 160	100	0,90	3,00
10 x 180	120	0,90	3,00
10 x 200	140	0,90	3,00
10 x 230	170	0,90	3,00
10 x 260	200	0,90	3,00

Dimension [mm]

BeziFix® SR II			
d1	TX	DK	ST
10	40	14	60



DETAILS

- works in vertical coring bricks, light, normal and cellular concrete, solid brick, and solid sand-lime bricks
- integrated anti-rotation lock
- fastens 20 - 200 mm thick materials
- can be screwed flush-mounted

ETA-15/0832

