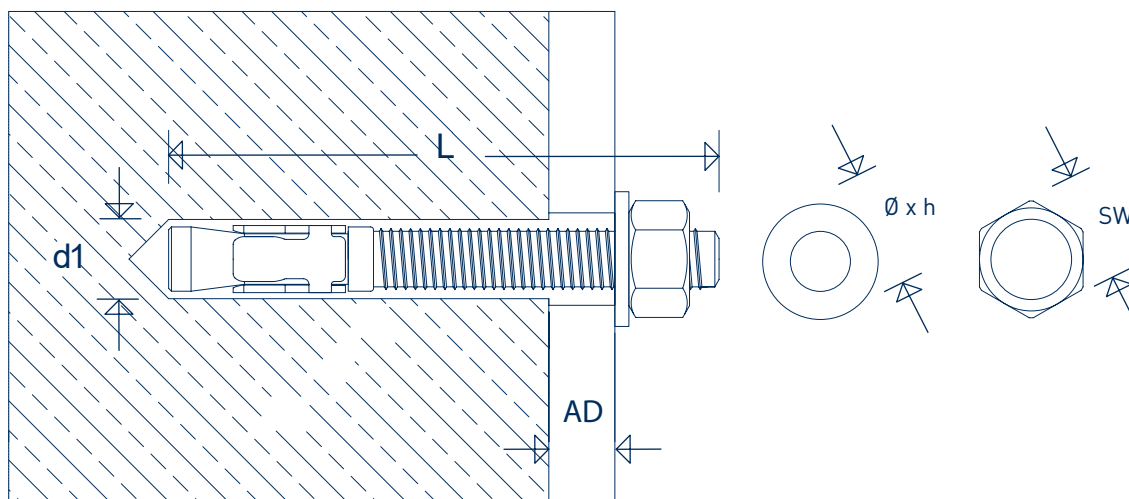


Betsi®

TECHNICAL DATA SHEET



SIHGA® montagepack		Dimension Betsi® d1 x L	Installation Part AD = t _{fix} [mm]	Width Across Flats SW [mm]	Washer Ø x h [mm]
Art. No.	PU				
25856	100	8,0 x 75	17	13	16 x 1,6
25416	50	10,0 x 90	25	17	20 x 2,0
25426	50	10,0 x 100	35	17	20 x 2,0
25436	50	10,0 x 120	55	17	20 x 2,0
25446	50	10,0 x 150	85	17	20 x 2,0
25456	50	10,0 x 170	105	17	20 x 2,0
25516	50	12,0 x 110	28	19	24 x 2,0
25526	50	12,0 x 120	38	19	24 x 2,0
25536	50	12,0 x 140	58	19	24 x 2,0
25546	50	12,0 x 160	78	19	24 x 2,0
25556	50	12,0 x 180	98	19	24 x 2,0
25606	50	12,0 x 200	118	19	36 x 2,5
25616	50	12,0 x 220	138	19	36 x 2,5
25626	50	12,0 x 240	158	19	36 x 2,5
25636	30	12,0 x 280	198	19	36 x 2,5
25646	30	12,0 x 300	218	19	36 x 2,5
25656	30	12,0 x 360	278	19	36 x 2,5
25706	20	16,0 x 240	125	24	48 x 3,0
25716	20	16,0 x 280	165	24	48 x 3,0
25726	15	16,0 x 300	185	24	48 x 3,0
25736	15	16,0 x 400	285	24	48 x 3,0

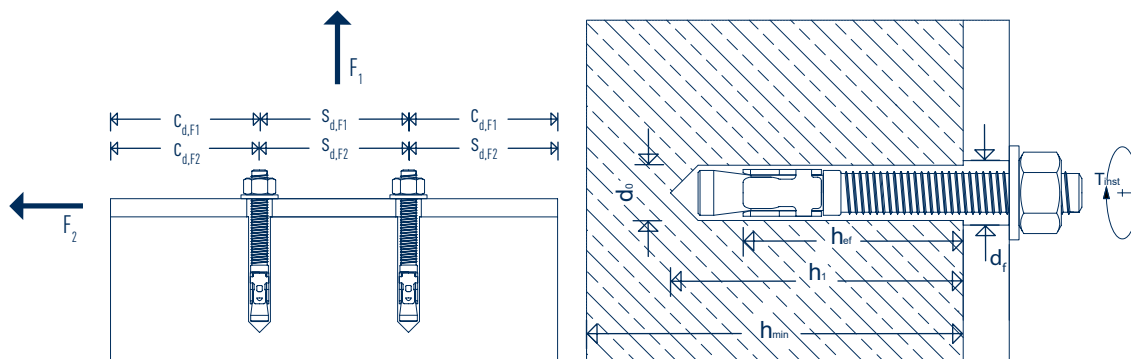


TAKE THE BEST



Betsi®

TECHNICAL DATA SHEET



SIHGA®	Betsi®		M 8	M 10	M 12	M 16
effective anchoring depth	h_{ef}	[mm]	45	50	60	85
concrete drilling diameter	d_o	[mm]	8	10	12	16
attachment drilling diameter	d_f	[mm]	10	12	14	18
borehole depth	h_1	[mm]	60	65	80	110
min. concrete thickness	h_{min}	[mm]	100	100	120	170
max. tightening torque	T_{inst}	[Nm]	20	35	55	100
minimum edge spacing without load influence	C_{min}	[mm]	61	68	81	115
maximum axial distance without load influence	S_{min}	[mm]	61	68	81	115

recommended tensile strength per anchor without edge influence, at edge spacing $c \geq 1.2 \times c_{cr,sp}$ (lt. ETA) recommended centre distance $s \geq 3 \times h_{ef}$ *

in non-cracked concrete min C 20/25	F_1	[kN]	5.0*	6.7*	8.9*	8.9*
recommended edge distance	$C_{d,F1}$	[mm]	136	150	180	256
recommended centre distance	$S_{d,F1}$	[mm]	135	150	180	255

recommended shear resistance per anchor without edge influence, with edge spacing $c \geq 60 \times d$ and centre distance $s \geq 3 \times h_{ef}$

in non-cracked concrete min C 20/25	F_2	[kN]	7.4*	11.6*	16.9*	31.4*
recommended edge distance	$C_{d,F2}$	[mm]	480	600	720	960
recommended centre distance	$S_{d,F2}$	[mm]	135	150	180	255

* for systems with high installation safety $\gamma_2 = 1.0$

ETAG 0001 2010 Annex C - Design method for Anchoring in concrete / safety concept 3.2.3.1 and 3.2.3.2

recommended loads of a single anchor in concrete C 20/25, normal reinforced in compliance with the specified AD and edge distances



DETAILS

- fastenings for wall beams, sills, steel brackets, support feet, etc. on non-cracked concrete from concrete quality C 20/25
- easy to install: the full load-bearing capacity is attained through simply knocking in and tightening
- stainless steel expansion clip

