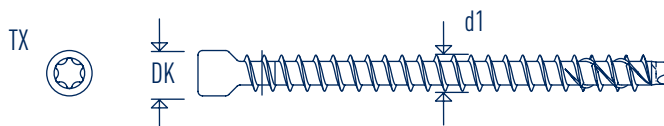
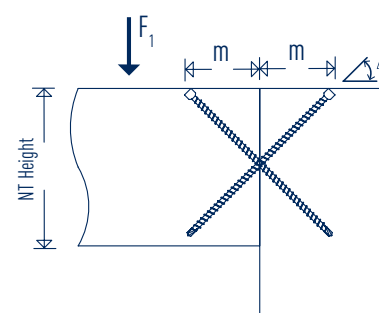
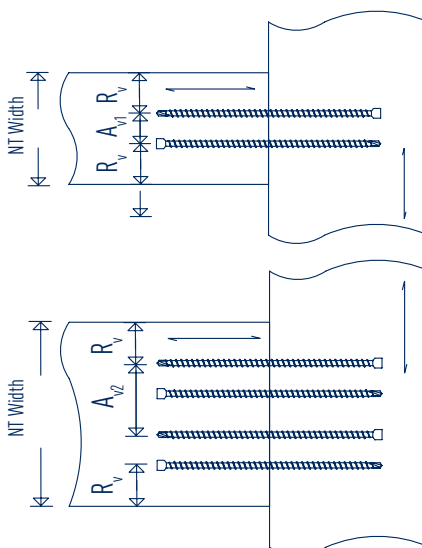


GoFix[®] X+

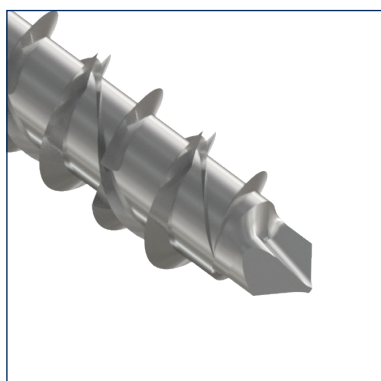
TECHNICAL DATA SHEET



Dimension [mm]		
GoFix [®] X+		
d1	TX	DK
6,5	30	8,0
8,0	40	10,0
10,0	50	13,0



Dimension [mm]					
GoFix [®] X+					
d1	TX	DK	R _v	A _{v1}	A _{v2}
6,5	30	8,0	20	10	33
8,0	40	10,0	24	12	40
10,0	50	13,0	30	15	50



DETAILS

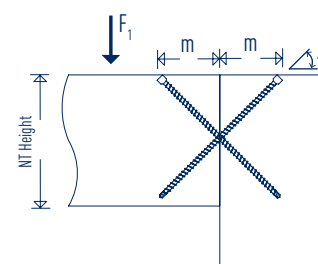
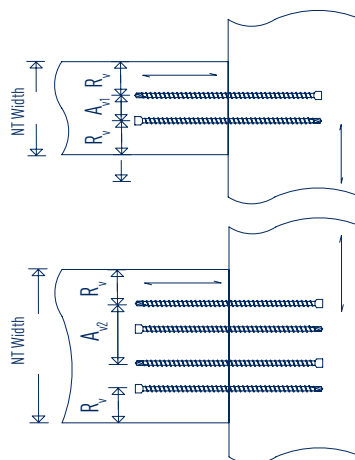
- fastens blunt wood connections extremely quickly
- made from hardened carbon steel
- screwing permissible from 0° up to 90° to the grain
- pre-drilling also permitted, for GoFix[®] X+ Ø 6.5 mm with 4 mm, with Ø 8.0 mm with 5 mm, with Ø 10.0 mm with 6 mm

ETA-11/0425



GoFix® X+

TECHNICAL DATA SHEET

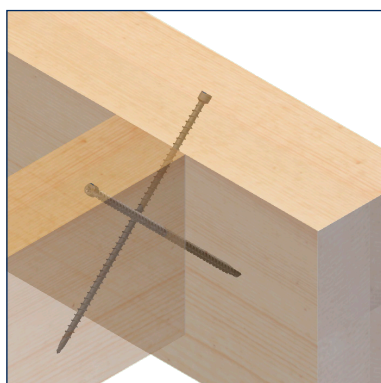


Dimension [mm]

GoFix® X+					
d1	TX	DK	R _v	A _{v1}	A _{v2}
6,5	30	8,0	20	10	33
8,0	40	10,0	24	12	40
10,0	50	13,0	30	15	50

SIHGA® montagepack	Dimension GoFix® X+	Secondary Beam NT Height	Assembly Dimensions m	Shear Force F ₁ - 1 pair			Shear Force F ₁ - 2 pair			
				NT Width min.	Char. Values*	Design Values**	NT Width min.	Char. Values*	Design Values**	
Art. No.	PU	d1 x L	min. [mm]	[mm]	[mm]	[kN]	[kN]	[mm]	[kN]	[kN]
42066	150	6,5 x 195	140	70	50	10,88		85	21,77	
42246	75	8,0 x 220	160	80	60	13,19		100	26,37	
42256	75	8,0 x 245	180	90	60	14,76		100	29,51	
42276	75	8,0 x 295	220	110	60	17,90		100	35,79	
42286	75	8,0 x 330	240	120	60	20,09		100		0,00
42296	75	8,0 x 375	270	135	60		15,89	100		31,78
42306	75	8,0 x 400	290	145	60		15,89	100		31,78
42316	75	8,0 x 430	310	155	60		15,89	100		31,78
42326	75	8,0 x 480	350	170	60		15,89	100		31,78
42666	50	10,0 x 300	220	110	75	22,15		125	44,29	
42676	50	10,0 x 330	240	120	75	24,44		125	48,88	
42686	50	10,0 x 360	260	130	75	26,73		125	53,46	
42696	50	10,0 x 400	290	145	75		22,43	125		44,86
42706	50	10,0 x 450	320	160	75		22,43	125		44,86
42716	50	10,0 x 500	360	180	75		22,43	125		44,86
42726	50	10,0 x 550	400	200	75		22,43	125		44,86
42736	50	10,0 x 600	430	215	75		22,43	125		44,86

Subject to technical modifications and errors. Status of approval 12.2022
 * characteristic values for measurement according to EC 5, bulk density $\rho_k = 350 \text{ kg/m}^3$ (C24)
 ** design values according to EC 3 due to buckling $\gamma_m = 1.1$ already considered



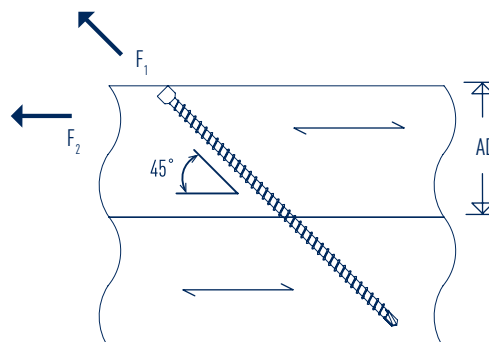
DETAILS

- fastens blunt wood connections extremely quickly
- made from hardened carbon steel
- screwing permissible from 0° to 90° to the grain
- pre-drilling also permitted, for GoFix® X+ Ø 6.5 mm with 4 mm, with Ø 8.0 mm with 5 mm, with Ø 10.0 mm with 6 mm



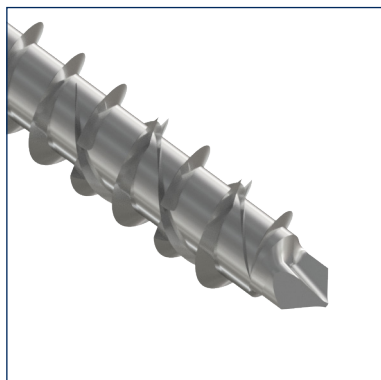
GoFix[®] X+

TECHNICAL DATA SHEET



SIHGA [®] montagepack		Dimension GoFix [®] X+	Installation Part Thickness Wood	Characteristic Values*	
Art. No.	PU	d1 x L	AD [mm]	Tensile Force F_1 [kN]	Shear Force F_2 [kN]
42026	150	6,5 x 120	45	4,08	2,88
42036	150	6,5 x 140	50	4,82	3,41
42046	150	6,5 x 160	60	5,56	3,93
42066	150	6,5 x 195	70	6,85	4,85
42226	75	8,0 x 155	60	6,44	4,55
42236	75	8,0 x 195	70	8,21	5,81
42246	75	8,0 x 220	80	9,32	6,59
42256	75	8,0 x 245	90	10,43	7,38
42276	75	8,0 x 295	105	12,65	8,95
42286	75	8,0 x 330	120	14,21	10,05
42296	75	8,0 x 375	135	16,21	11,46
42306	75	8,0 x 400	145	17,32	12,24
42316	75	8,0 x 430	155	18,65	13,19
42326	75	8,0 x 480	170	20,87	14,76
42666	50	10,0 x 300	110	15,66	11,07
42676	50	10,0 x 330	120	17,28	12,22
42686	50	10,0 x 360	130	18,90	13,36
42696	50	10,0 x 400	145	21,06	14,89
42706	50	10,0 x 450	160	23,76	16,80
42716	50	10,0 x 500	180	26,46	18,71
42726	50	10,0 x 550	195	29,16	20,62
42736	50	10,0 x 600	215	31,86	22,53

Subject to technical modifications and errors. Status of approval 12.2022 * characteristic values for measurement according to EC 5, bulk density $\rho_k = 350 \text{ kg/m}^3$ (C24)



DETAILS

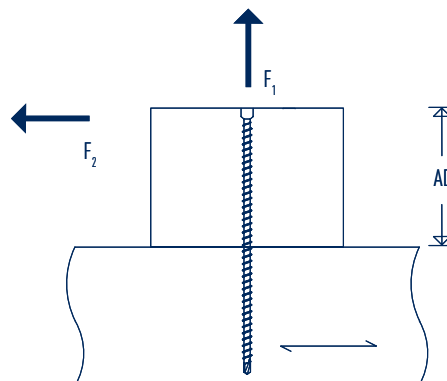
- fastens blunt wood connections extremely quickly
- made from hardened carbon steel
- screwing permissible from 0° to 90° to the grain
- pre-drilling also permitted, for GoFix[®] X+ \varnothing 6.5 mm with 4 mm, with \varnothing 8.0 mm with 5 mm, with \varnothing 10.0 mm with 6 mm

ETA-11/0425



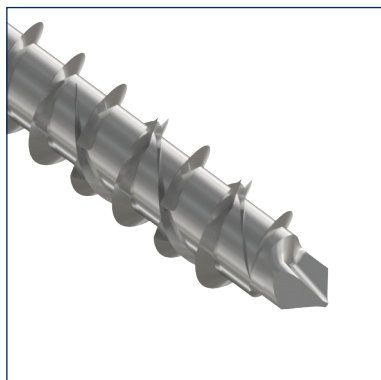
GoFix® X+

TECHNICAL DATA SHEET



SIHGA® montagepack		Dimension GoFix® X+	Installation Part Thickness Wood	Characteristic Values 90°*	
Art. No.	PU	d1 x L	AD [mm]	Tensile Force F_1 [kN]	Shear Force F_2 [kN]
42026	150	6,5 x 120	60	4,08	3,25
42036	150	6,5 x 140	70	4,82	3,43
42046	150	6,5 x 160	80	5,56	3,62
42066	150	6,5 x 195	100	6,85	3,94
42226	75	8,0 x 155	80	6,39	4,77
42236	75	8,0 x 195	100	8,17	5,21
42246	75	8,0 x 220	110	9,28	5,49
42256	75	8,0 x 245	125	10,39	5,77
42276	75	8,0 x 295	150	12,61	6,32
42286	75	8,0 x 330	170	14,16	6,71
42296	75	8,0 x 375	190	16,16	7,21
42306	75	8,0 x 400	200	17,27	7,49
42316	75	8,0 x 430	215	18,60	7,82
42326	75	8,0 x 480	240	20,82	8,37
42666	50	10,0 x 300	150	15,55	8,33
42676	50	10,0 x 330	170	17,17	8,73
42686	50	10,0 x 360	180	18,79	9,14
42696	50	10,0 x 400	200	20,95	9,68
42706	50	10,0 x 450	225	23,65	10,35
42716	50	10,0 x 500	250	26,35	11,03
42726	50	10,0 x 550	275	29,05	11,70
42736	50	10,0 x 600	300	31,75	12,38

Subject to technical modifications and errors. Status of approval 12.2022 * characteristic values for measurement according to EC 5, bulk density $\rho_k = 350 \text{ kg/m}^3$ (C24)



DETAILS

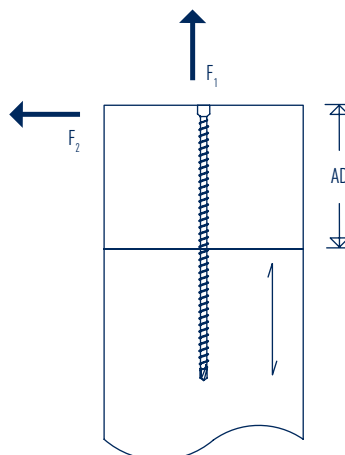
- fastens blunt wood connections extremely quickly
- made from hardened carbon steel
- screwing permissible from 0° to 90° to the grain
- pre-drilling also permitted, for GoFix® X+ \varnothing 6.5 mm with 4 mm, with \varnothing 8.0 mm with 5 mm, with \varnothing 10.0 mm with 6 mm

ETA-11/0425



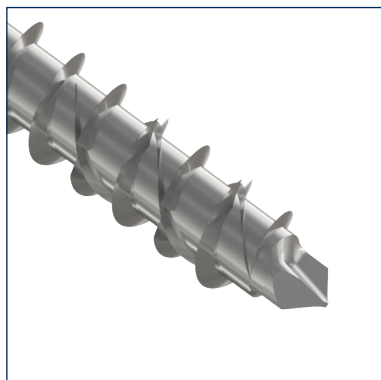
GoFix[®] X+

TECHNICAL DATA SHEET



SIHGA [®] montagepack		Dimension GoFix [®] X+	Installation Part Thickness Wood	Characteristic Values 0 ^{**}	
Art. No.	PU	d1 x L	AD [mm]	Tensile Force F ₁ [kN]	Shear Force F ₂ [kN]
42026	150	6,5 x 120	60	1,22	1,50
42036	150	6,5 x 140	70	1,44	1,91
42046	150	6,5 x 160	80	1,67	1,97
42066	150	6,5 x 195	100	2,06	2,06
42226	75	8,0 x 155	80	1,92	2,61
42236	75	8,0 x 195	100	2,45	2,75
42246	75	8,0 x 220	110	2,78	2,83
42256	75	8,0 x 245	125	3,12	2,91
42276	75	8,0 x 295	150	3,78	3,08
42286	75	8,0 x 330	170	4,25	3,20
42296	75	8,0 x 375	190	4,85	3,35
42306	75	8,0 x 400	200	5,18	3,43
42316	75	8,0 x 430	215	5,58	3,53
42326	75	8,0 x 480	240	6,25	3,70
42666	50	10,0 x 300	150	4,67	4,07
42676	50	10,0 x 330	170	5,15	4,19
42686	50	10,0 x 360	180	5,64	4,32
42696	50	10,0 x 400	200	6,29	4,48
42706	50	10,0 x 450	225	7,10	4,68
42716	50	10,0 x 500	250	7,91	4,88
42726	50	10,0 x 550	275	8,72	5,09
42736	50	10,0 x 600	300	9,53	5,29

Subject to technical modifications and errors. Status of approval 12.2022 * characteristic values for measurement according to EC 5, bulk density pk = 350 kg/m³ (C24)



DETAILS

- fastens blunt wood connections extremely quickly
- made from hardened carbon steel
- screwing permissible from 0° to 90° to the grain
- pre-drilling also permitted, for GoFix[®] X+ Ø 6.5 mm with 4 mm, with Ø 8.0 mm with 5 mm, with Ø 10.0 mm with 6 mm

ETA-11/0425

