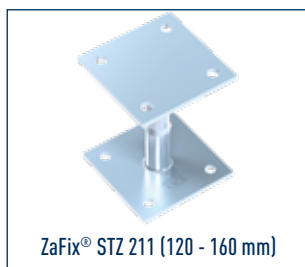
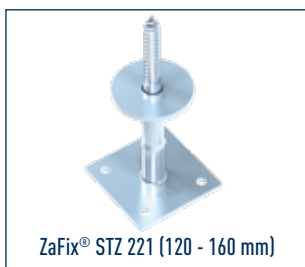


# ZaFix® STZ

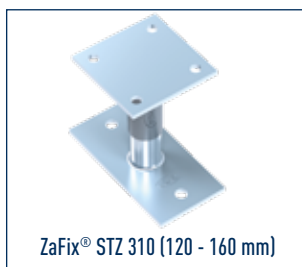
## TECHNICAL DATA SHEET



ZaFix® STZ 211 (120 - 160 mm)



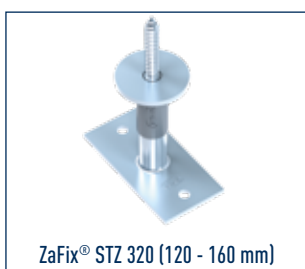
ZaFix® STZ 221 (120 - 160 mm)



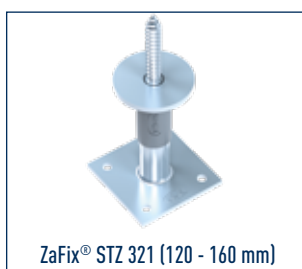
ZaFix® STZ 310 (120 - 160 mm)



ZaFix® STZ 311 (120 - 160 mm)



ZaFix® STZ 320 (120 - 160 mm)

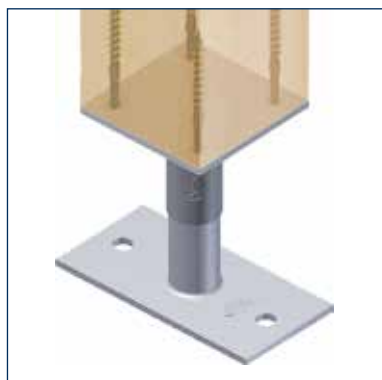
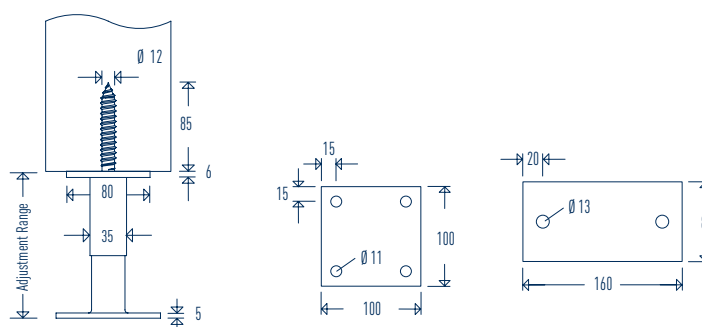


ZaFix® STZ 321 (120 - 160 mm)

SIHGA®		ZaFix®	Adjustment Range		Characteristic Values**	
objektpack®		STZ	Height [mm]		Compressive Force [kN]	Tensile Force [kN]
Art. No.	PU	Type	from	to	Rc, k	Rt, k
47957	10	<b>STZ 211*</b>	120	160	44,63	-
47907	10	<b>STZ 221*</b>	120	160	44,63	-
47917	10	<b>STZ 310</b>	120	160	70,42	-
47927	10	<b>STZ 311</b>	120	160	70,42	-
47937	10	<b>STZ 320</b>	120	160	70,42	-
47947	10	<b>STZ 321</b>	120	160	70,42	-

\* not height adjustable in installed condition

\*\* characteristic values for design according to EC 5 and strength class C 24 (pk 350 kg/m³)



### DETAILS

- takes over up to 154.5 kN pressure force and 10.57 kN tensile force per fastening point
- durable wood connection
- thread cover through stainless steel covering sleeve
- series 300 are height adjustable in the installed condition

