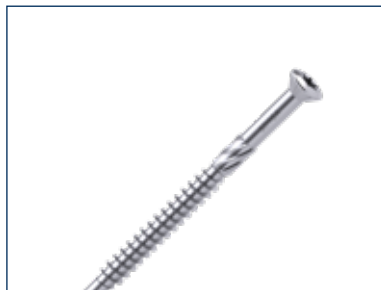
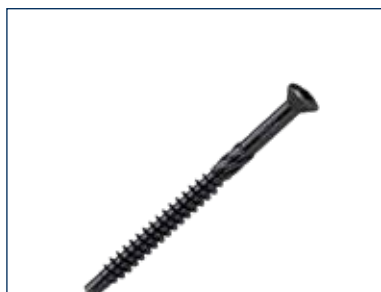


# F-BohrFix<sup>®</sup> ES/SC

## TECHNICAL DATA SHEET



**F-BohrFix<sup>®</sup> ES/SC**  
made from hardened stainless steel or SC 1



**F-BohrFix<sup>®</sup> ES**  
made from stainless steel with SC 9 coating

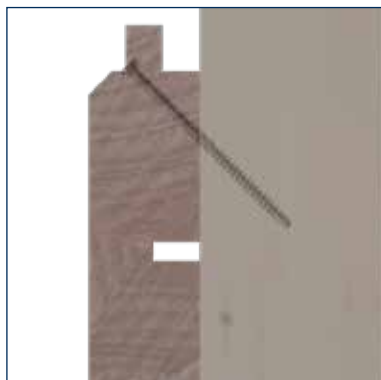
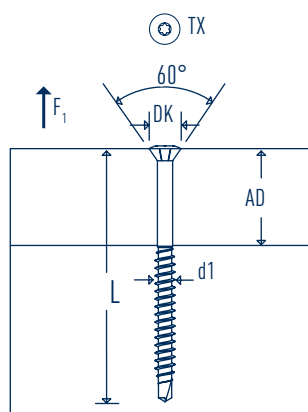
SIHGA <sup>®</sup>		Dimension	Installation Part	Recommended Values	
montagepack		F-BohrFix <sup>®</sup> ES/SC	AD	Tensile Force F <sub>1</sub> [kN]	
Art. No.	PU	d1 x L	[mm]	Head	Thread
27956	500	<b>3,2 x 35*</b>	14	0,12	0,30
27966	500	<b>3,2 x 40*</b>	16	0,12	0,34
27976	500	<b>3,2 x 50*</b>	20	0,12	0,42
27986	500	<b>3,2 x 60*</b>	24	0,12	0,51

\* available with SC 9 coating

### Dimension [mm]

F-BohrFix<sup>®</sup> ES/SC

d1	TX	DK	Decorative Head
3,2	10	5,2	60°



### DETAILS

- made from hardened stainless steel
- fastens wood to wood with small decorative head Ø 5,2 mm
- fastens without pre-drilling
- fastens without splitting the wood

