

# Pick PSA

## TECHNICAL DATA SHEET

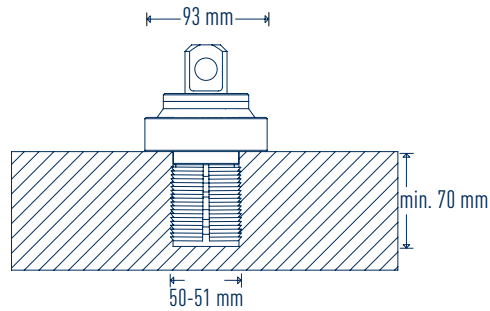


**SIHGA®**

System Kit Pick PSA

Art. No.	PU
----------	----

49231	1
-------	---



### DETAILS

- protecting yourself and your employees from injury does not get any simpler than this
- if the wooden elements have already been lifted with the Sihga Pick, there are already sufficient holes available
- no time-consuming installation and deinstallation necessary
- applicable for beam ceilings and beard locking slabs
- tested by TÜV Austria



TAKE THE BEST



Leitbetrieb Österreich Leitbetrieb Deutschland