

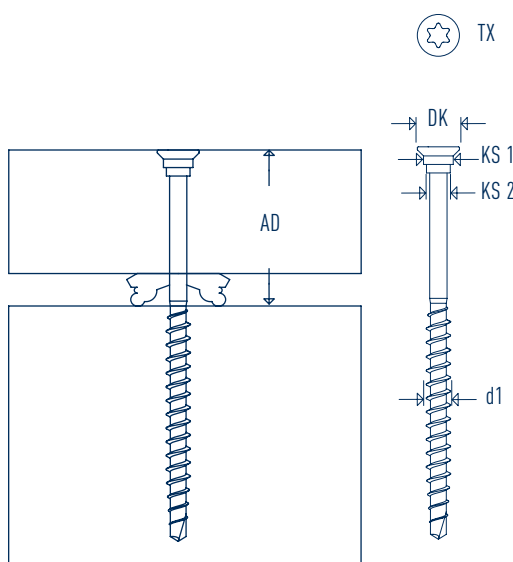
L-BohrFix[®] MB A4

TECHNICAL DATA SHEET



SIHGA [®]		Dimension	Installation Part
montagepack		L-BohrFix [®] MB A4	AD
Art. No.	PU	d1 x L	[mm]
37766	200	5,5 x 60	24
37776	200	5,5 x 70	28
37786	200	5,5 x 80	32

Dimension [mm]					
L-BohrFix [®] MB A4					
d1	TX	DK	KS 1	KS 2	
5,5	25	8,5	5,8	4,7	



DETAILS

- made from stainless steel A4
- fastens without rusting, also in acidic woods and when exposed to salt and chlorine
- multi-stage head with small head diameter of 8,5 mm
- drill bit with special shape prevents cracks in the wood

