

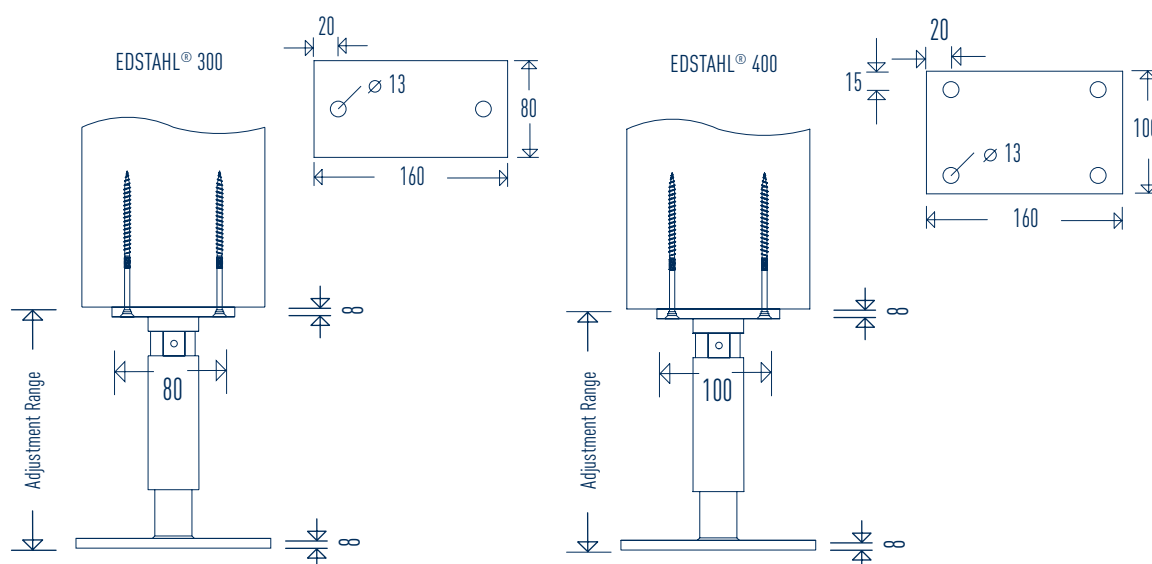
# EDSTAHL®

## TECHNICAL DATA SHEET



SIHGA® objektpack®		Dimension EDSTAHL®	Adjustment Range Height [mm]		Characteristic Values* L-GoFix® MS 6,0 x 160		
Art. No.	PU	Type	from	to	Pressure [kN]	Tension [kN]	Transverse [kN]
28609	10	<b>300</b>	125	170	113,70	2,04	1,47
28709	5	<b>400</b>	160	225	191,20	2,04	1,47

\* characteristic values for dimensioning according to EC 5 and strength class C 24 (pk 350 kg/m³)



### DETAILS

- transfers up to 191 kN compressive force per fastening point
- made 100% from stainless steel
- can be combined with IdeFix® IF 304 or 406 for 16.62 kN tensile force and horizontal force of 5.97 kN
- two-part system

