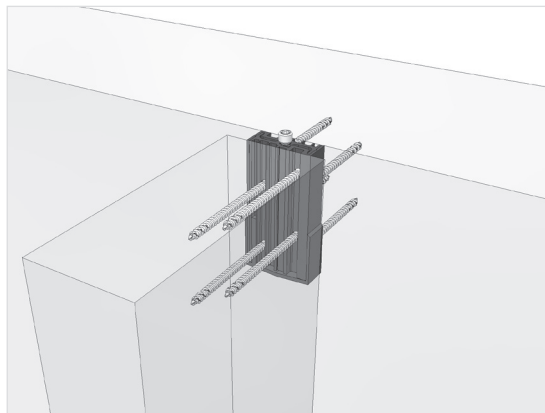




LamellenFix



CONCEALED DISTANCE MOUNTING OF WOODEN SLATS



LamellenFix fastens wooden slats to **various substrates**. The connector consists of **two identical aluminium parts and is black anodised**. One part is mounted on the wall. The other part is attached to the back of the wooden slat during the timber construction process.

At the construction site, the wooden slat is clipped onto the part installed on site from the front. A **locking screw connects the two connector parts** in a force-fit manner.

The LamellenFix is **concealed behind the slat**. The slat is spaced 20 mm from the substrate. Water can drain away quickly and the LamellenFix thus ensures perfect **structural wood protection**.



FACTS:

- concealed fastening behind the slat
- minimal contact surface with the wood
- quick installation and removal
- system with approval
- high load capacity (up to 12.9 kN vertically)
- cost-effective solution
- made in Austria

#INVISIBLE



TAKE THE BEST

SIHGA® GmbH

Gewerbepark Kleinreith 4 | 4694 Ohlsdorf bei Gmunden | Austria | www.sihga.com

Directly to the video

