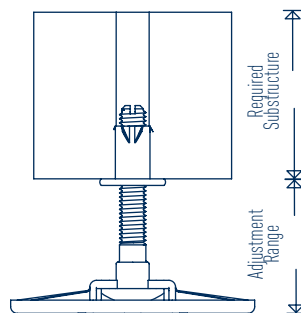


JustiFix II[®] JM

TECHNICAL DATA SHEET



| SIHGA [®] | | Dimension | Adjustment Range | | Dimension/ Base Plate | | Required Substructure |
|--------------------|----|-----------------------------|------------------|----|-----------------------|-------|-----------------------|
| montagepack | | JustiFix [®] II JM | [mm] | | [mm] | | [mm] |
| Art. No. | PU | Type | from | to | Length | Width | min. |
| 40846 | 40 | JM 40 | 25 | 40 | 100 | 74 | 25 |
| 40866 | 40 | JM 60 | 25 | 60 | 100 | 74 | 45 |
| 40886 | 40 | JM 80 | 25 | 80 | 100 | 74 | 65 |



DETAILS

- height-adjustable distance from 25 to 80 mm between substructure (with the exception of TefaFix[®] T) and foundation
- only for solid foundations, paving, concrete, ... (not on insulating materials or flat roof insulation)
- articulated mounting of the base Plate, compensates for floor unevenness
- load capacity per piece 1.20 kN
- quantity calculation: approx. 4 units/m²
- minimises vibrations



TAKE THE BEST



Leitbetrieb Österreich Leitbetrieb Deutschland