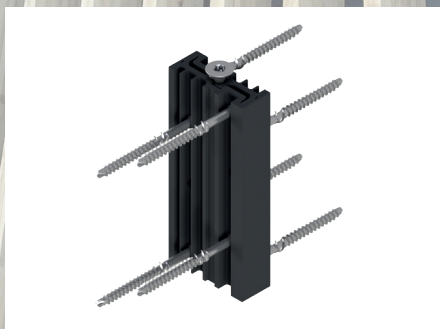


# LamellenFix



LamellenFix

INNOVATION  
2023



## SIHGA® Feature

## YOUR Benefit

Connectors for façade slats on different substructures

Whether wood, steel or concrete, the connector can be fastened to almost any substrate

Node connection made of two identical parts (1 connection consists of 2 pieces)

Can be pre-assembled without confusion and on the slat in the factory

The first connector on the market that enables the simple and cost-efficient installation of wooden slats

Quick and visually very appealing way to mount wooden slats on façades

Thanks to the ingenious coupling of the connectors by means of a locking screw, LamellenFix mounted in series are loaded equally

The LamellenFix has a high assembly tolerance, as the connection can be made perfectly even with a layer difference (in a longitudinal direction) of up to 8 mm

The geometry of the connector profile ensures that the water drains off quickly

Structural wood protection was always taken into account in the development and thus offers a long construction service life

Developed, patented and manufactured in Austria

Highest European quality and added value

Statically loadable in five directions

horizontally, vertically and under tension with high tested static values

Made of aluminium under monitoring and anodised

Durable, dimensionally stable quality, rust-free

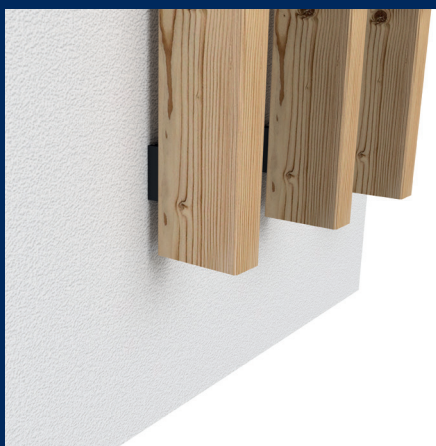
All enclosed screws in stainless steel

Approved for use in NKL 3

Includes SIHGAFIX® and assembly instructions

Time-saving, practical, precise;  
All accessories are included

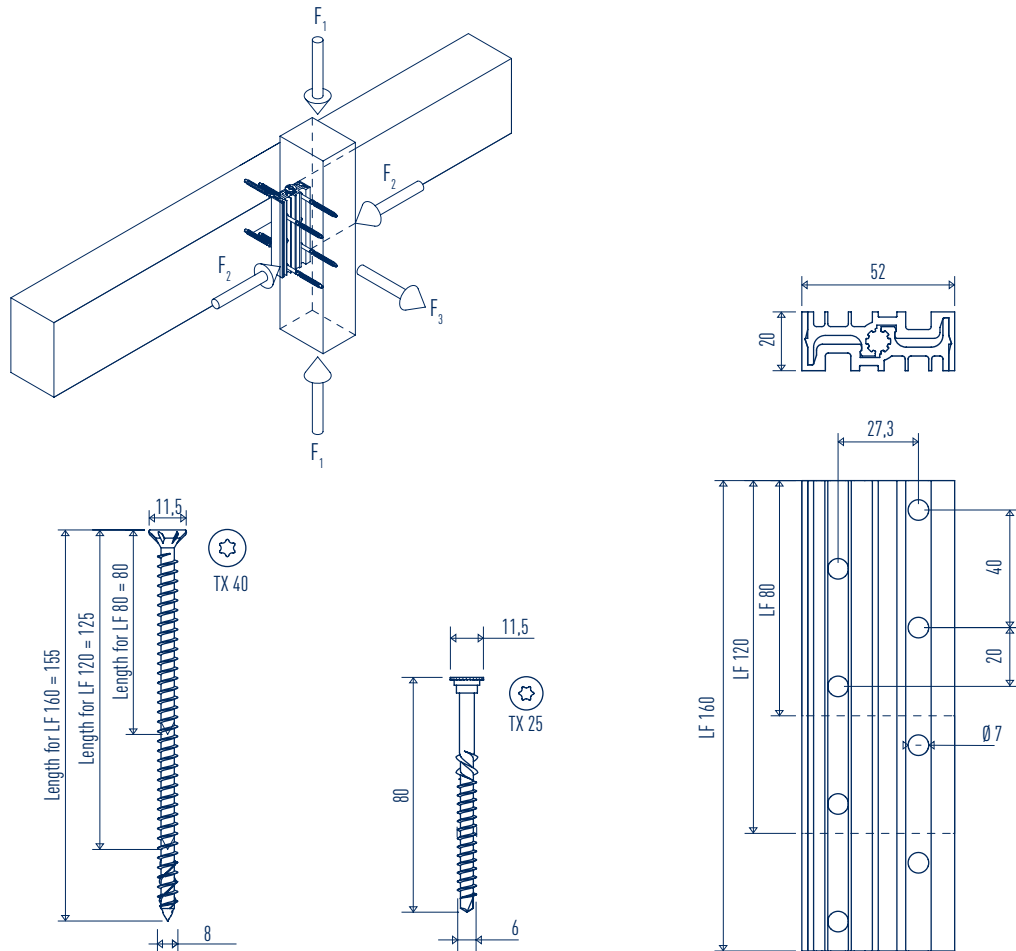
**The secure connector for architecturally and statically demanding louvre facades**



### SIHGA® TIP:

The fixing screws for the respective substrate must be ordered separately.

# LamellenFix



**Locking screw:**  
GoFix® S+ in stainless steel

**Screwing of the wooden slat:**  
TeFix® in hardened stainless steel

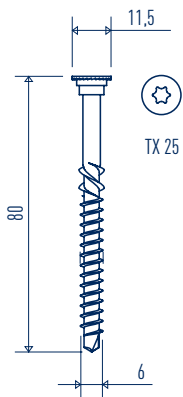
SIHGA®		Dimension		Slat		Substrate	
montagepack	LamellenFix	TeFix® in slat per connector	min. Width	min. Height (depth)	min. Height	min. Width (depth)	
Art. No.	PU	Typ	6,0 x 80	[mm]	[mm]	[mm]	[mm]
31206	60*	<b>80</b>	<b>4</b>	60	80	80	80
31216	60*	<b>120</b>	<b>4</b>	60	80	120	80
31226	60*	<b>160</b>	<b>6</b>	60	80	160	80

\* Corresponds to 30 connections

# Fastening for substructure

## Substructure wood

TeFix® in hardened stainless steel



**SIHGA®**

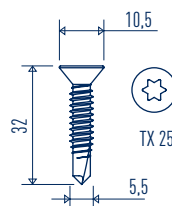
TeFix® hardened stainless steel

Art. No.

54416

## Substructure steel up to 4 mm

Sheet metal screw in stainless steel  
hardened



**SIHGA®**

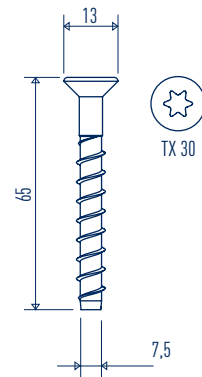
Tapping screw,  
hardened st/less steel

Art. No.

31306

## Substructure concrete

Concrete anchor in stainless steel



**SIHGA®**

Concrete anchor A4

Art. No.

41906

# LamellenFix template

## SIHGA® Feature

## YOUR Benefit

For all LamellenFix models

For the rational and precise assembly of Apply LamellenFix to the slat and to the substructure

Automatically finds the centre of the slat or substructure

By moving the two side parts towards each other, the parallelogram closes and centres the template on the component

The template can be clamped onto the horizontally mounted substructure and the LamellenFix inserted

You have both hands free for screwing

Developed and produced in Austria

Superlative European quality and added value

### SIHGA®

LamellenFix template

Art. No.

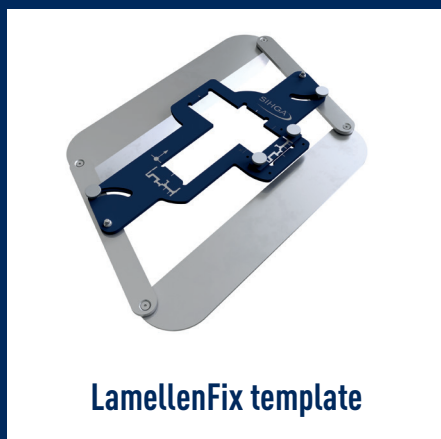
31716

### SIHGA®

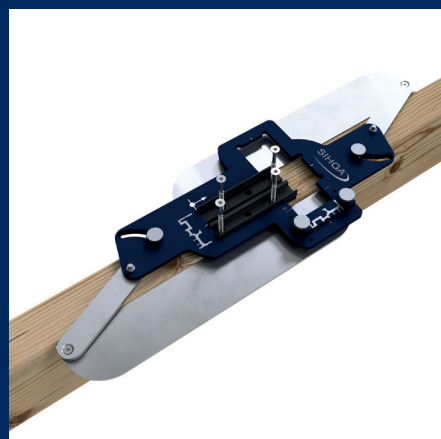
DUO Bit TX 40, 350 mm

Art. No.

31821



LamellenFix template



### SIHGA® TIP:

When inserting the self-tapping screw into the LamellenFix, we strongly recommend using the DUO Bit TX 40, 350 mm length, as this is indispensable in various installation situations. See LamellenFix application, page 43.

# LamellenFix application

