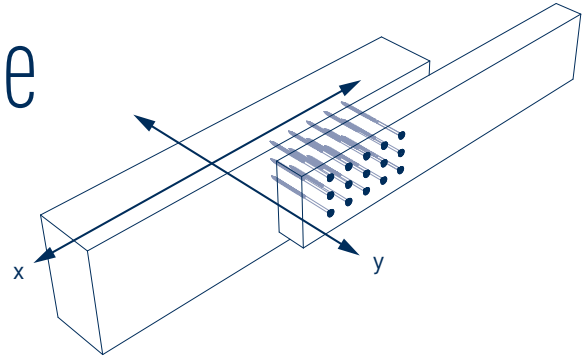


# Dimensioning template for parallel connection



Executing company			
Contact person			
Postcode		Place	
Phone		Fax	
E-mail			
Building project			

### Geometry side flaps:

Number:	<input type="checkbox"/> 1 <input type="checkbox"/> 2
Material:	<input type="checkbox"/> Softwood <input type="checkbox"/> Glulam <input type="checkbox"/> Steel
Strength class:	
Wood type:	<input type="checkbox"/> spruce, pine, fir <input type="checkbox"/> Douglas fir <input type="checkbox"/> other type of wood
Width [mm]:	
Height [mm]:	
Overlap [mm]:	

### Geometry carrier:

Material:	<input type="checkbox"/> Softwood <input type="checkbox"/> Glulam
Festigkeitsklasse:	
Wood type:	<input type="checkbox"/> spruce, pine, fir <input type="checkbox"/> Douglas fir <input type="checkbox"/> other type of wood
Width [mm]:	
Height [mm]:	

### Load Design:

Utilisation class:	<input type="checkbox"/> 1 <input type="checkbox"/> 2
Load duration:	<input type="checkbox"/> permanent <input type="checkbox"/> long-term <input type="checkbox"/> medium-term <input type="checkbox"/> short-term <input type="checkbox"/> very short-term
Load:	y-direction _____ [kN] x-direction _____ [kN]

**Tip:** Our dimensioning software is available to download free of charge at [www.sihga.com](http://www.sihga.com)!

**Accurate completion of the dimensioning template enables fast and reliable dimensioning.**

### Load Characteristic:

Utilisation class:	<input type="checkbox"/> 1 <input type="checkbox"/> 2		
<b>Constant load [kN/m]:</b>		<b>Variable load [kN/m]:</b>	
Partial safety factor [kN/m]:		Partial safety factor [kN/m]:	
Load duration:	<input type="checkbox"/> permanent <input type="checkbox"/> long-term <input type="checkbox"/> medium-term <input type="checkbox"/> short-term <input type="checkbox"/> very short-term	Load duration:	<input type="checkbox"/> permanent <input type="checkbox"/> long-term <input type="checkbox"/> medium-term <input type="checkbox"/> short-term <input type="checkbox"/> very short-term
Load:	y-direction _____ [kN] x-direction _____ [kN]	Load:	y-direction _____ [kN] x-direction _____ [kN]