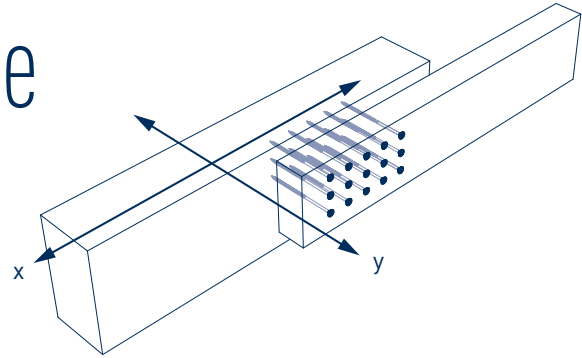


Dimensioning template for parallel connection



Executing company			
Contact person			
Postcode		Place	
Phone		Fax	
E-mail			
Building project			

Geometry side flaps:

Number:	<input type="checkbox"/> 1 <input type="checkbox"/> 2
Material:	<input type="checkbox"/> Softwood <input type="checkbox"/> Glulam <input type="checkbox"/> Steel
Strength class:	
Wood type:	<input type="checkbox"/> spruce, pine, fir <input type="checkbox"/> Douglas fir <input type="checkbox"/> other type of wood
Width [mm]:	
Height [mm]:	
Overlap [mm]:	

Geometry carrier:

Material:	<input type="checkbox"/> Softwood <input type="checkbox"/> Glulam
Festigkeitsklasse:	
Wood type:	<input type="checkbox"/> spruce, pine, fir <input type="checkbox"/> Douglas fir <input type="checkbox"/> other type of wood
Width [mm]:	
Height [mm]:	

Load Design:

Utilisation class:	<input type="checkbox"/> 1 <input type="checkbox"/> 2
Load duration:	<input type="checkbox"/> permanent <input type="checkbox"/> long-term <input type="checkbox"/> medium-term <input type="checkbox"/> short-term <input type="checkbox"/> very short-term
Load:	y-direction _____ [kN] x-direction _____ [kN]

Tip: Our dimensioning software is available to download free of charge at www.sihga.com!

Accurate completion of the dimensioning template enables fast and reliable dimensioning.

Load Characteristic:

Utilisation class:	<input type="checkbox"/> 1 <input type="checkbox"/> 2		
Constant load [kN/m]:		Variable load [kN/m]:	
Partial safety factor [kN/m]:		Partial safety factor [kN/m]:	
Load duration:	<input type="checkbox"/> permanent <input type="checkbox"/> long-term <input type="checkbox"/> medium-term <input type="checkbox"/> short-term <input type="checkbox"/> very short-term	Load duration:	<input type="checkbox"/> permanent <input type="checkbox"/> long-term <input type="checkbox"/> medium-term <input type="checkbox"/> short-term <input type="checkbox"/> very short-term
Load:	y-direction _____ [kN] x-direction _____ [kN]	Load:	y-direction _____ [kN] x-direction _____ [kN]