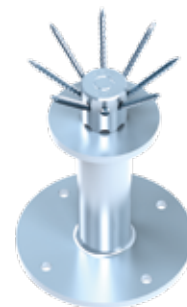


Herakulix® KI 200

SIHGA®



Herakulix® KI 200 with special SC 6 coating

ETA-18/0886



SIHGA® Feature

takes up to 237.5 kN per attachment point, 29 kN tensile force 10 kN impact load (requirement: anchoring with Betsi A4 12 x 118 or same design values)

high corrosion and splash protection due to coating

permanent wood connection

three-dimensional screwing with IdeFix® in the end grain

IdeFix® Drill Gauge IBG (page 206)

including SIHGAFIX® GoFix® HK screws and installation instructions

YOUR Benefit

the most durable and reliable connection with impact protection at carports, according to comments on www.sihga.com (Herakulix® KI 200/Download)

suitable for use in weathered areas

structural wood protection keeps surfaces free of damage

the world's only product with a three-dimensional, standard-compliant fitting provides safety

for efficient, angular drilling also on site

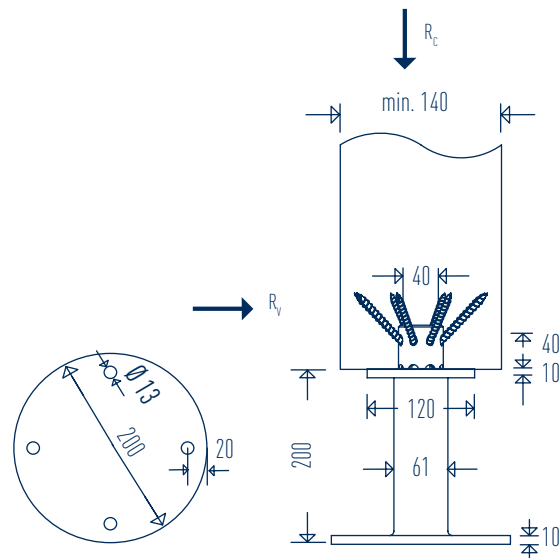
time-saving, practical, precise, including all accessories

SIHGA®		Herakulix®	IdeFix®	Characteristic Values with Normal Force*			Rated Values Impact Recommended for Carports	
objektpack		KI	IF	Thrust [kN]	Traction [kN]	Transverse Force [kN]	Thrust [kN]	Transverse Force [kN]
Art. No.	PU	Type	Type	$R_{c,k}$	$R_{t,k}$	$R_{v,k}$	$R_{c,d}$	$R_{v,d}$
51547	2	KI 200	406	237,5	29,00	10,00	50,00 ¹	10,00 ²

* characteristic values for design according to EC 5 and strength class C24 (ρ_k 350 kg/m³)

¹ deformed condition: exceptional load case as per EC: partial safety factors for constant loads (1.35) and variable loads (1.5) may be set to 1.0 and snow below 1000 m may be reduced by 80 %.

² impact load car at a bumper height of 337.5 cm and at a speed of 5 km / h (requirement: Betsi A4 12 x 118 or equivalent load values)



SIHGA® TIP:

For manual drilling, we recommend the IdeFix® Drill Gauge IBG and drill.