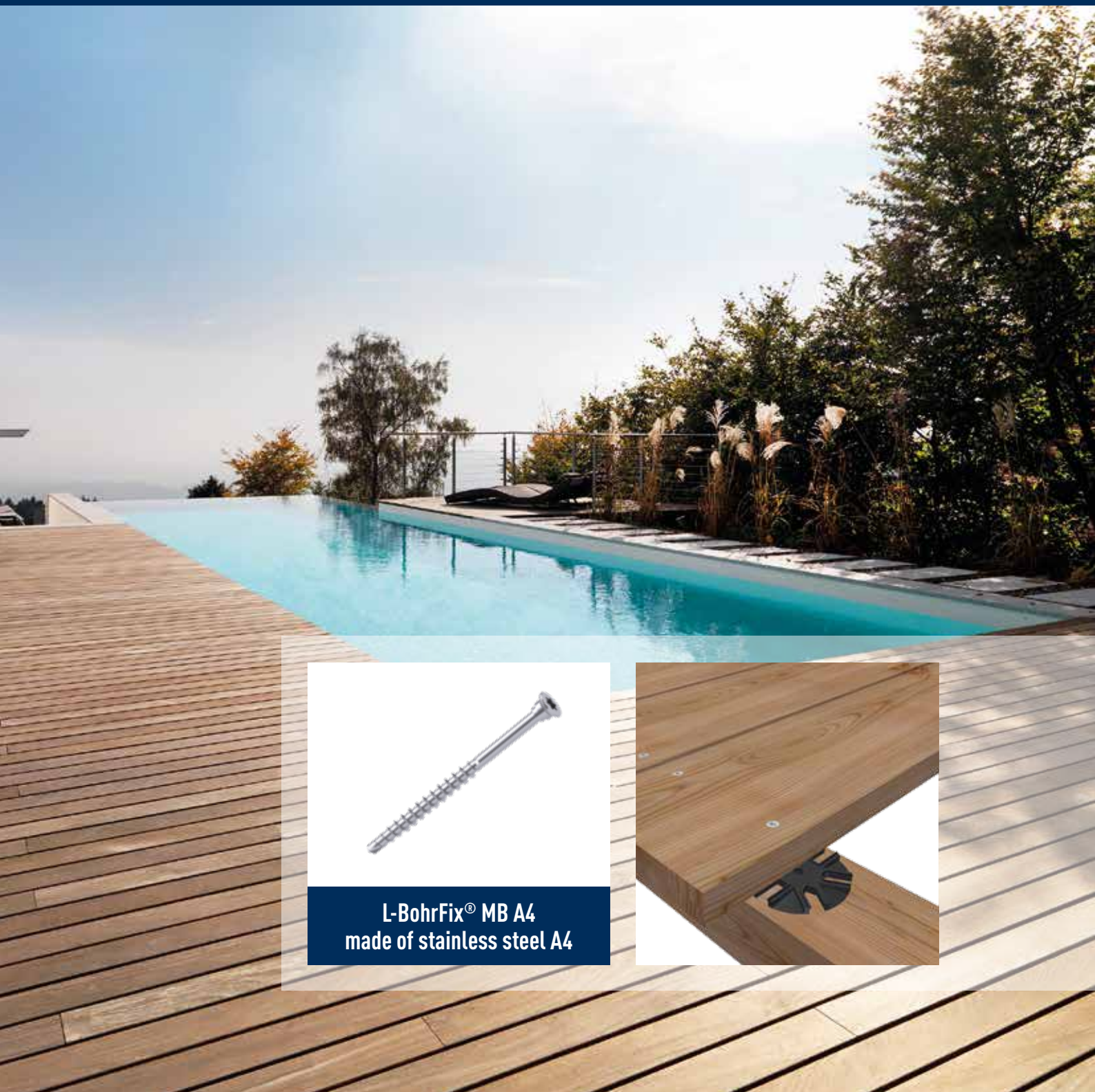


L-BohrFix[®] MB A4

SIHGA[®]



L-BohrFix[®] MB A4
made of stainless steel A4



SIHGA® Feature

fastens all types of wood, even when exposed to salt and chlorine

drill bit with special shape

made from stainless steel A4

material highly resistant to corrosion

multi-stage head with small head diameter of 8.5 mm

including SIHGAFIX® stainless steel, Systemstift® and installation instructions

calculation of quantity

YOUR Benefit

special drill bit prevents the substructure from splitting

prevents cracks in the wood

fastens without rusting, also in acidic woods and when exposed to salt and chlorine, and securely on aluminium up to 3 mm wall thickness

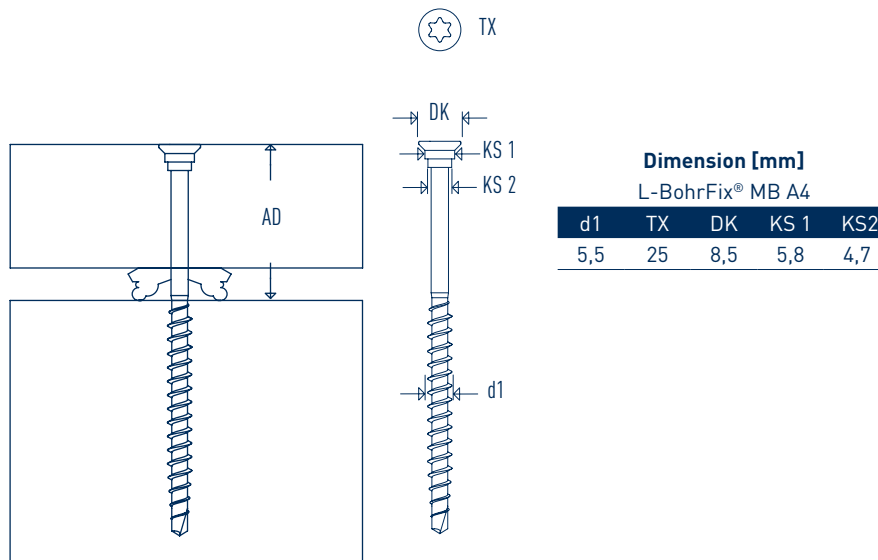
optimally suited for use close to the pool surround

elegant look, non-cutting screwing

time-saving, practical, precise, all accessories enclosed; SIHGAFIX® stainless steel prevents rust from external sources and also enables screwing into deep grooves

<https://bemessung.sihga.com/terrace>

SIHGA® montagepack		Dimension L-BohrFix® MB A4	Installation Part AD
Art. No.	PU	d1 x L	[mm]
37766	200	5,5 x 60	24
37776	200	5,5 x 70	28
37786	200	5,5 x 80	32



SIHGA® TIP:

To extend the life of timber constructions, we recommend using KompeFix® II KF and noting the design recommendations (page 64).