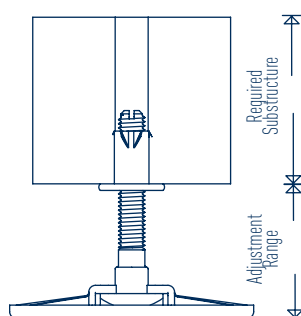


# JustiFix II<sup>®</sup> JM

## TECHNICAL DATA SHEET



SIHGA <sup>®</sup>		Dimension	Adjustment Range		Dimension/ Base Plate		Required Substructure
montagepack		JustiFix <sup>®</sup> II JM	[mm]		[mm]		[mm]
Art. No.	PU	Type	from	to	Length	Width	min.
40846	40	<b>JM 40</b>	25	40	100	74	25
40866	40	<b>JM 60</b>	25	60	100	74	45
40886	40	<b>JM 80</b>	25	80	100	74	65



### DETAILS

- height-adjustable distance from 25 to 80 mm between substructure (with the exception of TefaFix<sup>®</sup> T) and foundation
- only for solid foundations, paving, concrete, ... (not on insulating materials or flat roof insulation)
- articulated mounting of the base Plate, compensates for floor unevenness
- load capacity per piece 1.20 kN
- quantity calculation: approx. 4 units/m<sup>2</sup>
- minimises vibrations

