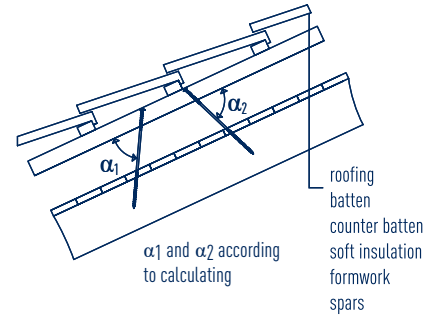


GoFix® ZS

TECHNICAL DATA SHEET

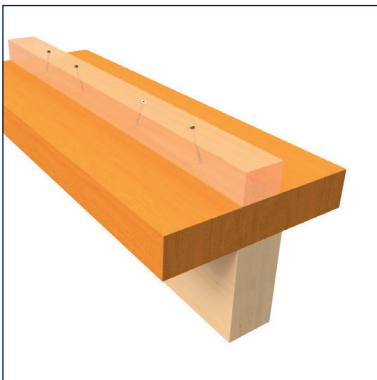
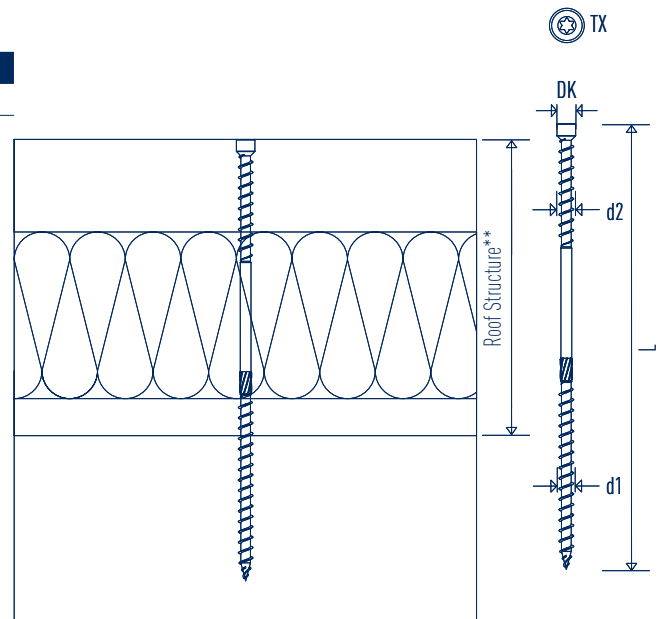


SIHGA®		Dimension	Roof Structure**
montagepack		GoFix® ZS	Thickness [mm]
Art. No.	PU	d1 x L	from
26996*	75	8,0 x 165	75
27006*	75	8,0 x 195	100
27116	75	8,0 x 225	130
27126	75	8,0 x 235	140
27136	75	8,0 x 255	155
27146	75	8,0 x 275	175
27156	75	8,0 x 302	200
27166	75	8,0 x 335	230
27176	75	8,0 x 365	255
27186	75	8,0 x 397	285
27196	75	8,0 x 435	320



* design with Plate head, DK = 16 mm
** at thread anchoring depth in rafters of 80 mm

Dimension [mm]			
GoFix® ZS			
d1	d2	TX	DK
8,0	8,0	40,0	10,0



DETAILS

- fastens soft insulation materials for on-rafter insulation
- also for insulation material with a compressive stress below 50 kPa; no pressure on the insulation
- online calculation: at www.sihga.com (no-rafter insulation)



TAKE THE BEST

