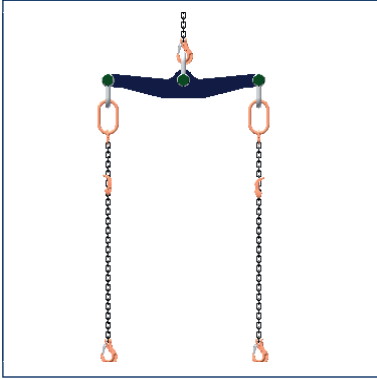


# Pocket Traverse

## TECHNICAL DATA SHEET



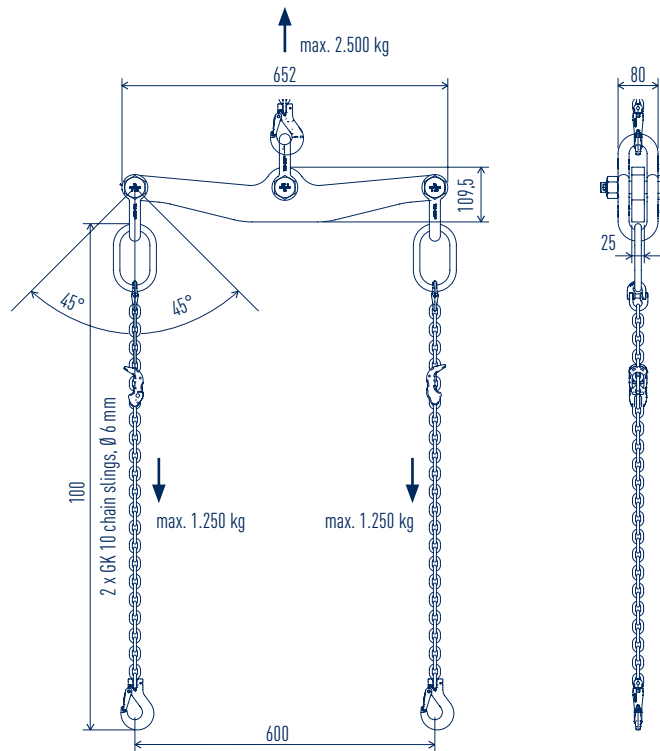
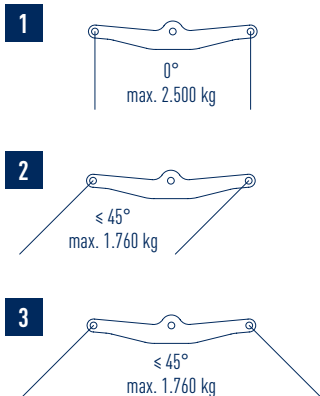
SIHGA®

Pocket Traverse

Art. No.

50036

### Load cases:



### DETAILS

- easily transportable and therefore also readily available
- By coupling two load handling attachments, twice the load can be lifted
- Provides security through conformity with all relevant standards



TAKE THE BEST



Leitbetrieb Österreich Leitbetrieb Deutschland