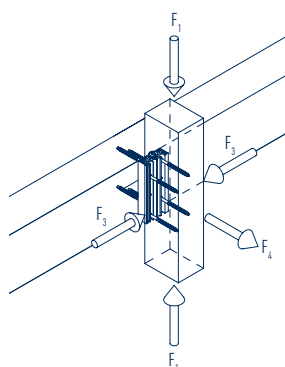
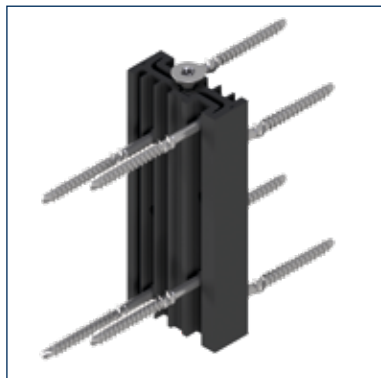
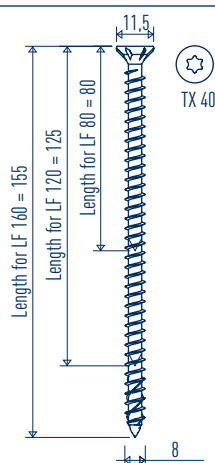
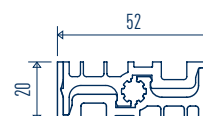


LamellenFix

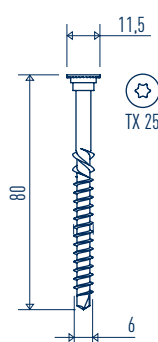
TECHNICAL DATA SHEET



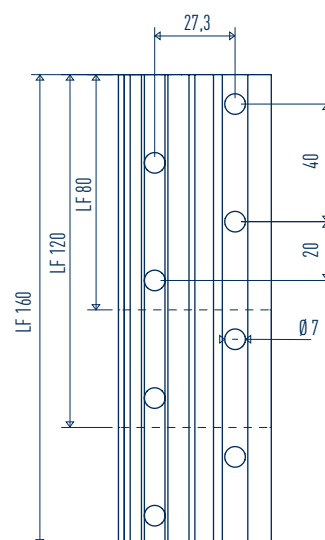
SIHGA® LamellenFix Type	Rated values (kN)		
	$F_{1,d}$ Compressive force [kN]	$F_{3,d}$ Transverse force [kN]	$F_{4,d}$ Traction [kN]
80	4,46	3,10	5,08
120	7,67	3,92	5,71
160	12,90	4,66	8,29



Locking screw:
GoFix® S+ in stainless steel



Screwing of the wooden slat:
TeFix® in hardened stainless steel



SIHGA®		Dimension		Slat		Substrate	
montagepack	LamellenFix	TeFix® in slat per connector	min. Width	min. Height (depth)	min. Height	min. Width (depth)	
Art. No.	PU	Typ	6,0 x 80	[mm]	[mm]	[mm]	[mm]
31206	20*	80	4	60	80	80	80
31216	20*	120	4	60	80	120	80
31226	20*	160	6	60	80	160	80

* Corresponds to 10 connections



DETAILS

- The secure connector for architecturally and statically demanding lamella facades for facade lamellas on different substructures.
- best suited from a lamella dimension of >60 x >180 mm
- few fixing points for large wooden lamellas
- simple, fast installation
- fast drainage of water
- statically loadable in five directions

