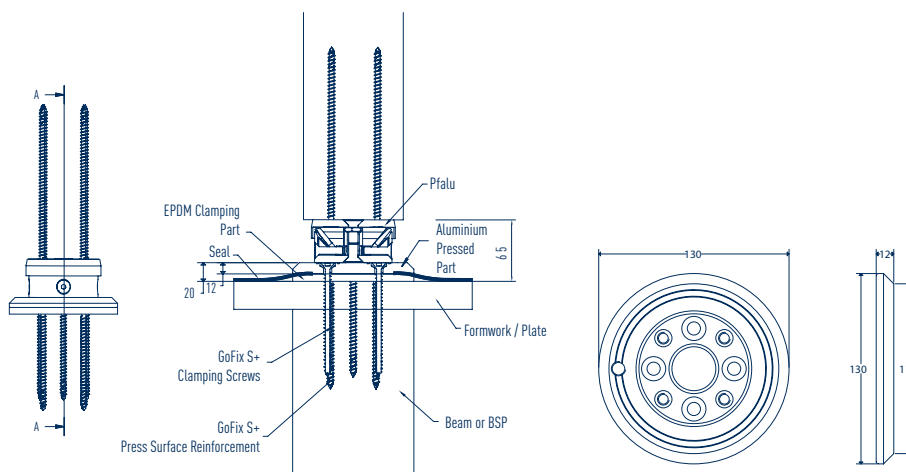
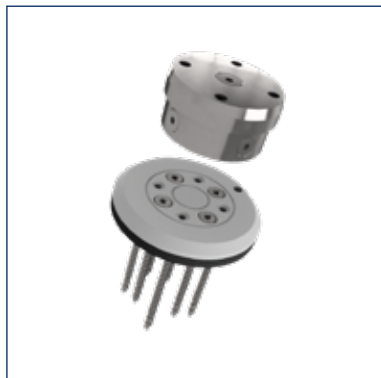


# Pfalu Aquastop®

## TECHNICAL DATA SHEET



SIHGA® montagepack	Dimension Pfalu® d x h	Dimension Aquastop d x h	GoFix® S+ Underground d x L [mm]	GoFix® S+ zu Pressed Piece d x L [mm]	GoFix® S+ zu Pfalu® d x L [mm]	max. Torque [kNm]	
Art. No. PU	43546 5	90 x 46	130 x 20	8,0 x 125	8,0 x 155	8 x 195	1,25



### DETAILS

- fastening system for railing uprights on flat roof waterproofing
- stepless and easily accessible inclination adjustment up to 4° in all directions
- combinable with various sealants
- valve for leak testing

