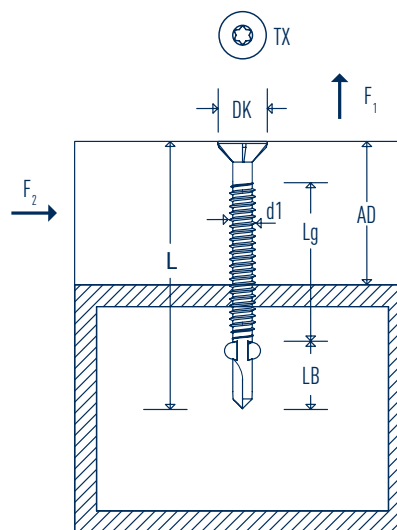


S-BohrFix® SBF

TECHNICAL DATA SHEET



SIHGA®	Dimension	Installation Part	Thread	Drilling Capacity	Recommended Loads	
montagepack	S-BohrFix® SBF	AD	Lg	Steel	Tensile Force F ₁	Shear Force F ₂
Art. No.	PU	d1 x L [mm]	[mm]	[mm]	[kN]	[kN]
31236	100	4,8 x 38	20	2,2	0,45	0,64
31246	100	5,5 x 45	25	4,0	0,61	0,64
31256	100	5,5 x 50	30	4,0	0,61	0,84
31266	100	6,3 x 60	35	5,0	0,72	0,84
31276	100	6,3 x 70	45	5,0	0,72	0,84
31286	100	6,3 x 85	60	5,0	0,72	0,84
31296	100	6,3 x 110	85	5,0	0,72	0,84

Due to the many different metal qualities, the drilling capacity must be determined on site by trial screwing.

Dimension [mm]

S-BohrFix® SBF

d1	TX	DK	LB
4,8	25	9,5	13,0
5,5	30	11,0	15,0
6,3	30	12,0	16,0



DETAILS

- made from hardened stainless steel
- fastens wood to steel without pre-drilling simply screw through up to 5 mm thick steel, up to quality S355, in one working step
- drill bit with special shape and thread lock flanks, rust-free fastening, is extremely break-proof

