

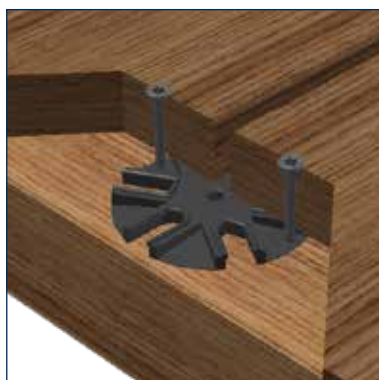
TerrassenFix[®] II TF

TECHNICAL DATA SHEET



SIHGA [®] montagepack		Dimension TerrassenFix [®]	Average Quantity/m ² *
Art. No.	PU	Type	Stk.
40506	100	II TF	14

* calculation takes place with the assumption "plank width 140 mm".



DETAILS

- from polyethylene, remains permanently dimensionally stable, is heat-, frost- and UV-resistant
- joint setting for 4, 5, 6, 7, 8, 9 mm wide joints without residue in the joint
- TerrassenFix[®] II rods TFS are removed entirely using a handle, can be reused after screw-connecting the planks
- calculation of quantity per m²: $1 : \text{Substructure distance [m]} : (\text{Width of terrace planks [m]} + \text{joint [m]})$

