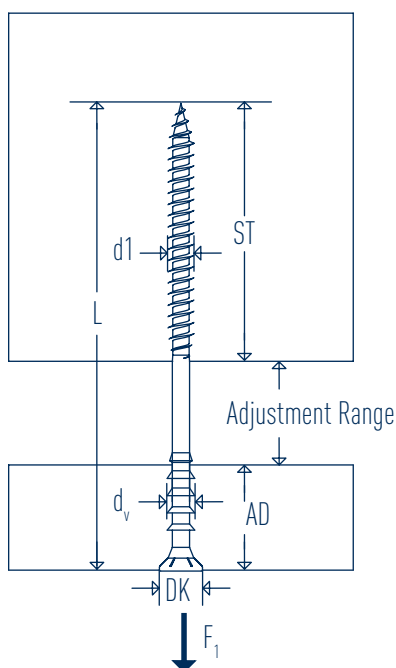


GoFix® JK

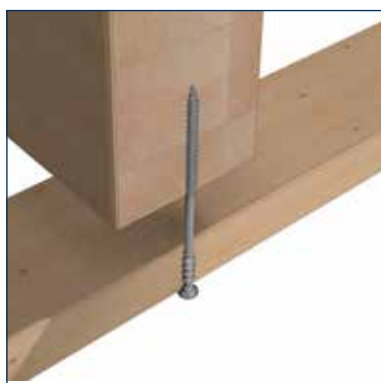
TECHNICAL DATA SHEET



SIHGA®	Dimension	Installation Part	Seat Depth	Adjustment Range	Recommended Loads	
montagepack	GoFix® JK	AD	ST	to	Tensile Force F_1 [kN]	
Art. No.	PU	d1 x L [mm]	[mm]	[mm]	Head	Thread
29326	100	6,0 x 80	20	50	10	0,51 1,03
29336	100	6,0 x 100	20	50	30	0,51 1,03
29346	100	6,0 x 120	20	50	50	0,51 1,03
29356	100	6,0 x 145	20	50	75	0,51 1,03
29366	100	6,0 x 160	20	50	90	0,51 1,03



Dimension [mm]			
GoFix® JK			
d1	dv	TX	DK
6,0	6,5	25	10,0



DETAILS

- for professional installation from wood on wood (including distance of the two woods)
- ribs pull without pre-drilling into the wood (adjustment in horizontal and vertical direction possible)

