

TeFix®

SIHGA®



TeFix® made of hardened stainless steel



Details on page 65



ETA-20/0558



SIHGA® Feature

fastens wood to wood without pre-drilling and countersinking

made of hardened stainless steel

SIHGA® friction thread with special form

SIHGA® further-developed multi-stage head

the perfect solution in combination with KompeFix®

including SIHGAFIX®, Systemstift® and installation instructions

calculation of required quantity, please visit

HFA inspected in combination with KompeFix® II KF, larch, thermo ash and Accoya

YOUR Benefit

prevents the formation of cracks or splitting in almost all hardwood and thermo-wood; saves working time

non-corrosive attachment and is extremely break-proof

pre-drills the boards at 5 mm; the wood can thus swell and shrink

no suppression or splitting of the wood due to extra thin head and saw tooth corrugation

increases the life of the wood and the screw

time-saving, practical, precise, all accessories are included

www.sihga.com (average quantity = 33 pieces/m²)

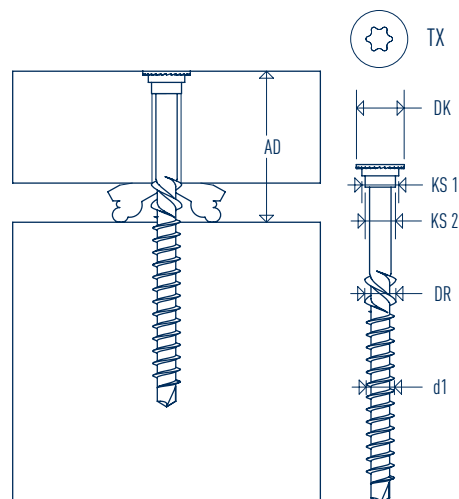
for details please see page 66

SIHGA® montagepack		Dimension TeFix® d1 x L	Installation Part AD [max] [mm]	Characteristic Values**			
Art. No.	PU			Tensile Force F _t [kN]		Shear Force F _v [kN]	
				Head	Thread	Wood-Wood	Steel-Wood
54316	200	5,0 x 45*	18	1,65	1,43	1,58	2,75
54326	200	5,0 x 50*	24	1,65	1,66	1,70	2,81
54336	200	5,0 x 60*	27	1,65	2,18	1,94	2,94
54346	200	5,0 x 70*	30	1,65	2,71	2,18	3,07
54356	200	5,0 x 80*	34	1,65	3,16	2,46	3,18
54366	200	5,0 x 90*	37	1,65	3,69	2,61	3,31
54376	200	5,0 x 100*	40	1,65	4,21	2,75	3,45
54406	100	6,0 x 70	30	2,92	2,75	2,61	4,03
54416	100	6,0 x 80	34	2,92	3,22	2,91	4,15
54426	100	6,0 x 90	37	2,92	3,77	3,19	4,29
54436	100	6,0 x 100	40	2,92	4,32	3,44	4,42
54446	100	6,0 x 120	52	2,92	4,95	3,60	4,58

* also available with SC 9 coating

** characteristic values for dimensioning according to EC 5 and for strength class pk 490 kg/m³ (Larch)

Dimensions [mm]					
d1	TX	DK	KS 1	KS 2	DR
5,0	20	8,5	6,5	5,4	5,2
6,0	25	11,5	8,2	6,4	6,3



SIHGA® TIP:

For use in the area of pool surroundings and to fasten wood with high tannin content (such as e.g. cumaru, oak, robinia, garapa) we recommend L-BohrFix® MB A4.

