



www.sihga.com

Betsi®

INNOVATIVE BAUTECHNOLOGIE MIT SUPPORT FÜR DIE ZUKUNFT

MA Nr. 38704/25/1

TAKE THE BEST



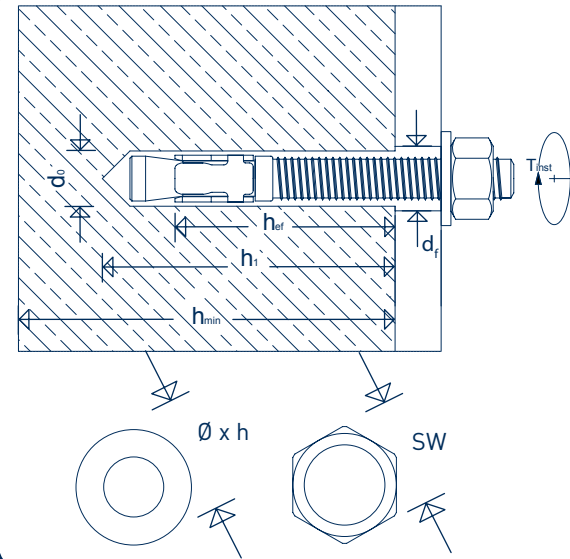
SIHGA® GmbH | Gewerbepark Kleinreith 4 | 4694 Ohlsdorf bei Gmunden | AUSTRIA
Tel.: +43 7612 / 74 370 - 0 | E-Mail: info@sihga.com | www.sihga.com

Betsi®

Stabebo®
SDS Bohrer



www.sihga.com

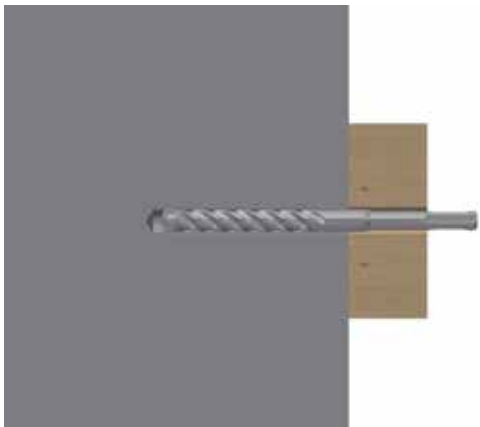


Betsi®	AD	SW	Ø x h
d _i x L	[mm]	[mm]	[mm]
8,0 x 75	17	13	16 x 1,6
10,0 x 90	25	17	20 x 2,0
10,0 x 100	35	17	20 x 2,0
10,0 x 120	55	17	20 x 2,0
10,0 x 150	85	17	20 x 2,0
10,0 x 170	105	17	20 x 2,0
12,0 x 110	28	19	24 x 2,0
12,0 x 120	38	19	24 x 2,0
12,0 x 140	58	19	24 x 2,0
12,0 x 160	78	19	24 x 2,0
12,0 x 180	98	19	24 x 2,0
12,0 x 200	118	19	36 x 2,5
12,0 x 220	138	19	36 x 2,5
12,0 x 240	158	19	36 x 2,5
12,0 x 280	198	19	36 x 2,5
12,0 x 300	218	19	36 x 2,5
12,0 x 360	278	19	36 x 2,5

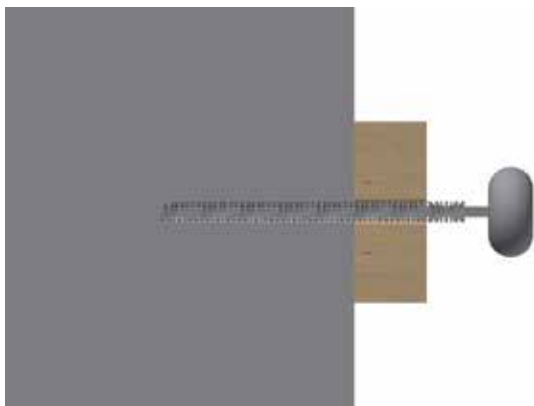
Betsi®	AD	SW	Ø x h
d _i x L	[mm]	[mm]	[mm]
16,0 x 240	125	24	48 x 3,0
16,0 x 280	165	24	48 x 3,0
16,0 x 300	185	24	48 x 3,0
16,0 x 400	285	25	48 x 3,0

Betsi®	ETA 18/1141				
Ø	[mm]	M8	M10	M12	M16
h _{ef}	[mm]	45	55	65	85
d _o	[mm]	8	10	12	16
d _f	[mm]	10	12	14	18
h ₁	[mm]	60	75	85	110
h _{min}	[mm]	100	110	130	170
T _{inst}	[Nm]	20	35	60	100

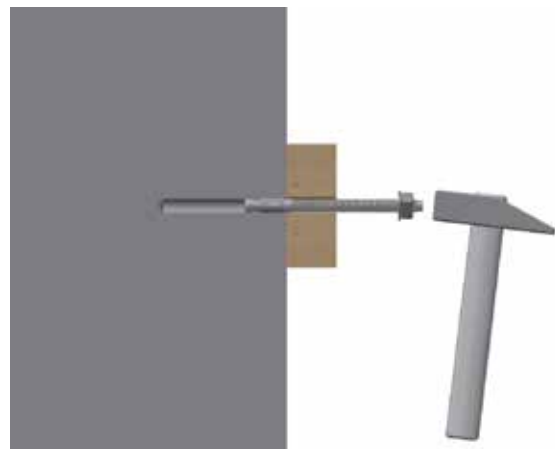
1.



2.



3.



4.

