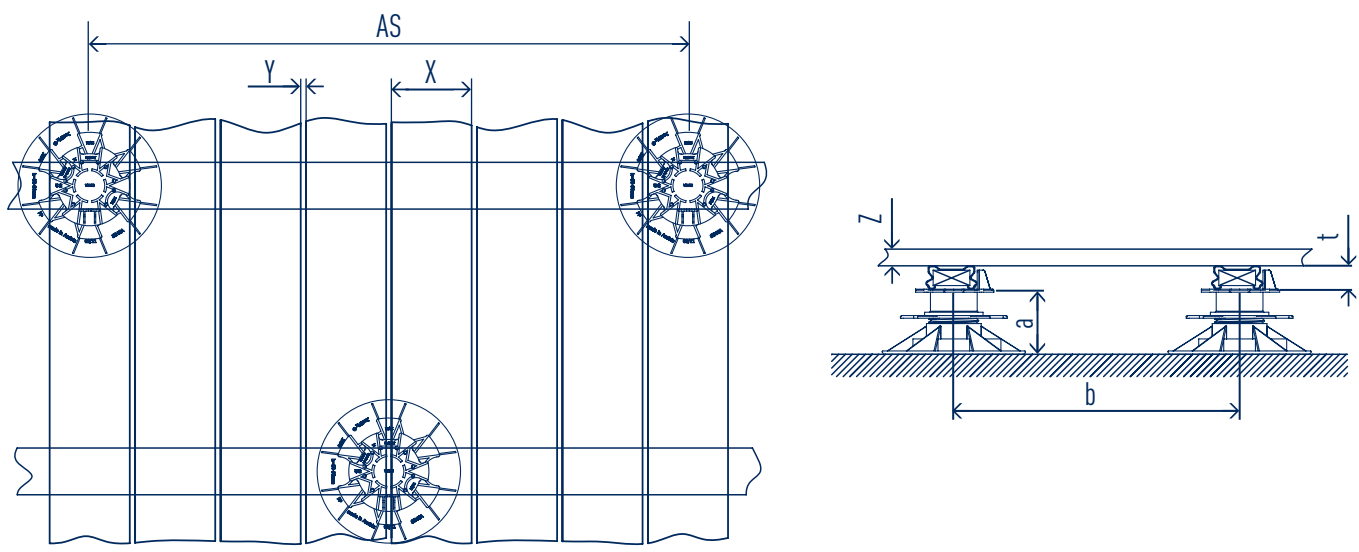


# Guide

## Terrace quantity determination for application specialists



Executing firm*			
Contact person*			
Postcode*		Location*	
Telephone*		Fax	
Email*			
Construction project*			

Our online dimensioning software is available at [www.sihga.com](http://www.sihga.com) at all times!

Roof cladding material*	<input type="text"/>
X =	<input type="text"/> plank width*
Y =	<input type="text"/> joint width (SenoFix 6mm, rest min. 7mm)*
Z =	<input type="text"/> plank thickness*
Substructure*	<input type="checkbox"/> Wood <input type="checkbox"/> Alu <input type="checkbox"/> SymbioFix
t =	<input type="text"/> substructure thickness*
a =	<input type="text"/> (installation height) min. 30 mm*
b =	<input type="text"/> (substructure spacing 400 - 500)*

Attachment*	
Visibly attached	TerrassenFix <input type="checkbox"/> KompeFix <input type="checkbox"/>
Non-visibly attached	SenoFix <input type="checkbox"/>
	DielenFix <input type="checkbox"/>
	GleitFix <input type="checkbox"/>
Base*	Solid <input type="checkbox"/> Soft <input type="checkbox"/>
Total surface*	<input type="text"/> m <sup>2</sup>
AS = bearing spacing	<input type="text"/> (1.10 free for SF, 0.7 for wood/alu)

\*Please complete in full.  
No dimensioning can be performed otherwise!

# Dimensioning template

## Quantity determination for terrace

Quantity determination (without reserve)

Substructure:	$\frac{\text{Surface (m}^2\text{)}}{b \text{ (m)}} =$	Substructure (running metres)
Adjustable feet:	$\frac{\text{Substructure(running metres)}}{AS \text{ (m)}} =$	Adjustable feet (units)
Plank fastening:	$\frac{\text{Surface (m}^2\text{)}}{b \text{ (m)}} =$	Substructure (running metres)
	$\frac{\text{Substructure(running metres)}}{(X+Y) \text{ (m)}} =$	Attachment (unit) (Calculate DielenFix and visible screw connection twice)

Accessories:	Depth gauge	<input type="checkbox"/>
	Counter sink	<input type="checkbox"/>
	Non-woven material	<input type="checkbox"/>
	Drilling template	<input type="checkbox"/>
	Clamp	<input type="checkbox"/>
	FugiFix	<input type="checkbox"/>
	TerrassenFix Aqua	<input type="checkbox"/> 4 m <input type="checkbox"/> 1 m

**Note:**  
Theoretical number of products + 15% surcharge = number of products for the offer.

\*Please complete in full.  
No dimensioning can be performed otherwise!