

# Stabilix C/H

SIHGA®



**Stabilix C**  
for carports



**Stabilix H**  
for timber construction



## SIHGA® Feature

connectors for rigidity

developed and made in Austria

tested suitability

simple installation

space-saving connection

includes SIHGAFIX®, GoFix® S+ screws and installation instructions

design values

calculation template

## YOUR Benefit

versatile in application, deformations are minimised: particularly in use for carports (model C) and in wood construction (model H)

local quality and added-value

transfers both horizontal and vertical forces, as well as moment in frame constructions from wind and snow loads

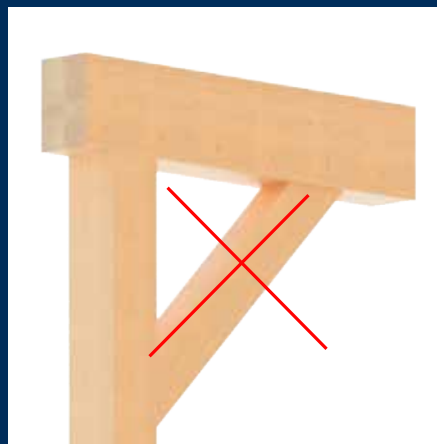
can be used without pre-drilling, connector can be pre-fitted in the factory

no disruptive braces for rigidity, low construction height possible while maintaining the same access height

time-saving, practical, precise, complete accessories enclosed

SIHGA® performs the calculation for you, example calculations provided online

at [www.sihga.com](http://www.sihga.com) (Stabilix C)

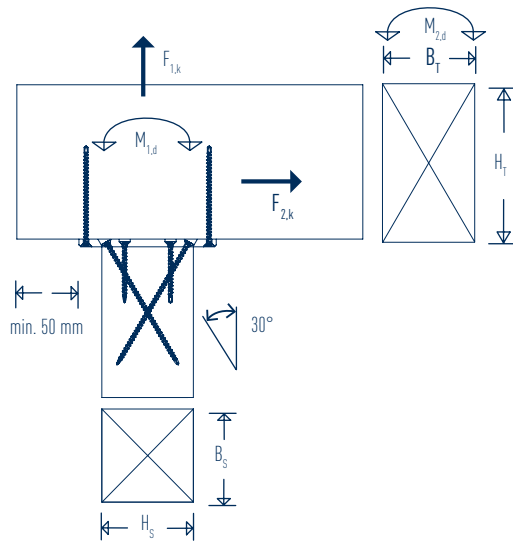


### SIHGA® TIP:

2 connectors can be selected per connection variant and combined with IdeFix®.

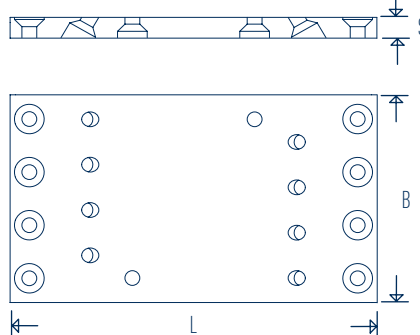


# Stabilix C



SIHGA® Stabilix C Type	Torque		Characteristic Values*	
	M <sub>1,d</sub> [kNm]	M <sub>2,d</sub> [kNm]	F <sub>1,k</sub> [kN]	F <sub>2,k</sub> [kN]
10	1,56	-	14,8	9,8
12	4,50	-	28,8	15,9
14/16	7,00	2,5	45,3	22,1
18/20	12,25	-	146,95	44,50

\* characteristic values for sizing according to EC 5 and for strength class C 24



SIHGA®		Pillar		Cross Beam		Screws GoFix® S+		Dimensions				
montagepack Stabilix C		min. H <sub>s</sub> / B <sub>s</sub> * max. H <sub>s</sub> / B <sub>s</sub>		min. H <sub>T</sub>		min. B <sub>T</sub>		Pillar	Cross Beam	L	B	S
Art. No.	PU	Type	[mm]	[mm]	[mm]	[mm]	d1 x L [mm]	[mm]				
43306	2	<b>10</b>	90	100	100	90	8,0 x 155 and 8,0 x 95	8,0 x 95	150	80	12	
43326	2	<b>12</b>	110	120	130	110	8,0 x 195 and 8,0 x 95	8,0 x 125	170	100	12	
43346	2	<b>14/16</b>	130	160	160	130	8,0 x 220 and 8,0 x 95	8,0 x 155	210	120	15	
43356	2	<b>18/20</b>	180	200	200	180	8,0 x 330 and 8,0 x 95	8,0 x 195	250	150	15	

\* ensure accurate positioning during installation

## Torsion spring stiffness for Stabilix C10-C14/16\*

Stabilix C Type	Node stiffness	
	Initially	Medium
<b>10</b>	127 kNm/Rad	78 kNm/Rad
<b>12</b>	317 kNm/Rad	186 kNm/Rad
<b>14/16</b>	435 kNm/Rad	385 kNm/Rad
<b>18/20</b>	1061 kNm/Rad	762 kNm/Rad

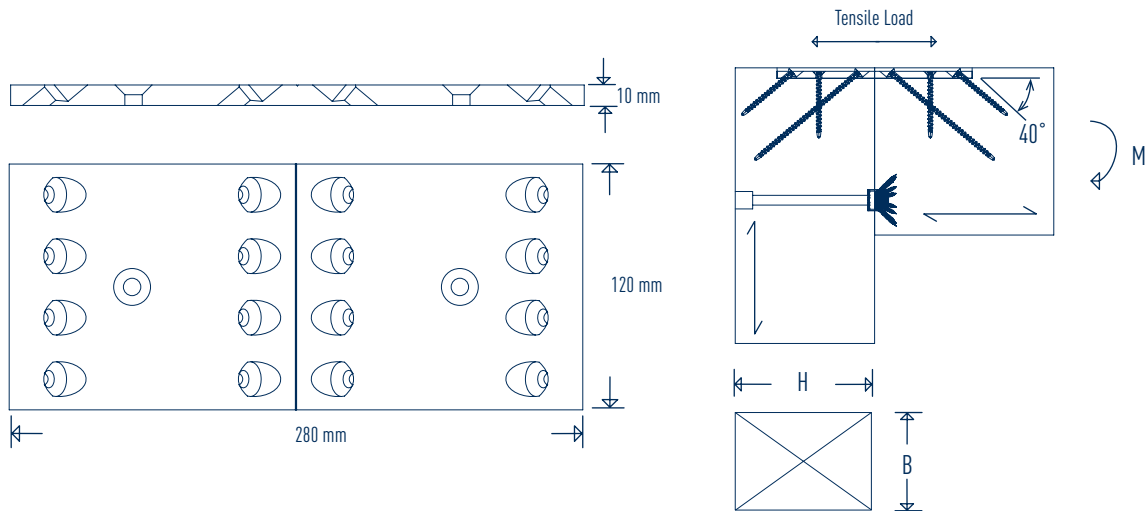
\* derived from the test report of the BTI Linz



\* Price and delivery time on request;  
associated screws are not coloured!



# Stabilix H



SIHGA® montagepack		Stabilix	Column		Beam		Angle	Char. Values*	Screw GoFix® S+
Art. No.	PU	Type	B [mm]	H [mm]	min. Width [mm]	min. Height [mm]	Beam [°]	Tensile Load [kN]	Dimension d1 x L [mm]
43436	2	H	140	200	140	240	0	51,34	8,0 x 95 and 8,0 x 195
43436	2	H	140	200	140	240	20	42,68	8,0 x 95 and 8,0 x 195
43446	2	H	140	280	140	240	0	70,36	8,0 x 195
43446	2	H	140	280	140	240	20	58,50	8,0 x 195

\* characteristic values for dimensioning according to EC 5 and strength class C 24 ( $\rho_k$  350 kg/m<sup>3</sup>)

