

Alu-TeFix®

TECHNICAL DATA SHEET

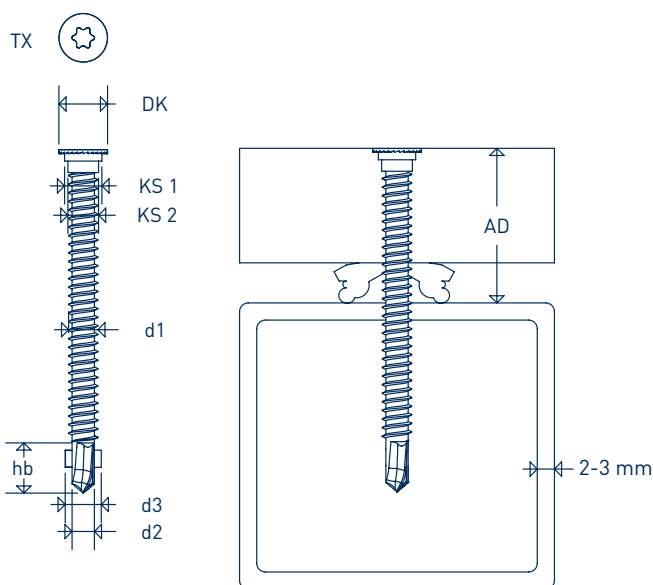


Dimensions [mm] Alu-TeFix®

| d1 | TX | DK | KS 1 | KS 2 | d2 | d3 | hb |
|-----|----|-----|------|------|-----|-----|----|
| 5,0 | 20 | 8,5 | 6,5 | 5,4 | 3,9 | 6,4 | 10 |

| SIHGA® montagepack | | Dimension Alu-TeFix® | Add-on Part up to AD | Substructure TefaFix® T/F |
|--------------------|-----|----------------------|----------------------|---------------------------|
| Art. No. | PU | d1 x L | [mm] | |
| 54016 | 200 | 5,0 x 51 | 33 | yes |
| 54026 | 200 | 5,0 x 61 | 43 | yes |

| SIHGA® montagepack | | Dimension Alu-TeFix® A2 | Add-on Part up to AD | Substructure TefaFix® T/F | Substructure Aluminium 2-3 mm |
|--------------------|-----|-------------------------|----------------------|---------------------------|-------------------------------|
| Art. No. | PU | d1 x L | [mm] | | |
| 54066 | 200 | 5,0 x 51 | 33 | yes | yes |
| 54076 | 200 | 5,0 x 61 | 43 | yes | yes |



DETAILS

- Alu-TeFix® made of hardened steel or in A2
- pre-drills the boards at 6 mm and prevents lifting of the board while screwing; drilling wings break off when penetrating into the aluminium
- no displacement or chipping of the wood due to an extra thin head and saw tooth corrugation

