

# SIHGA®



## Monitorix® power supply

INNOVATIVE CONSTRUCTION TECHNOLOGY  
AND SUPPORT FOR THE FUTURE

MA Nr. TT60308/25/09/EN

TAKE THE BEST



Assembly video



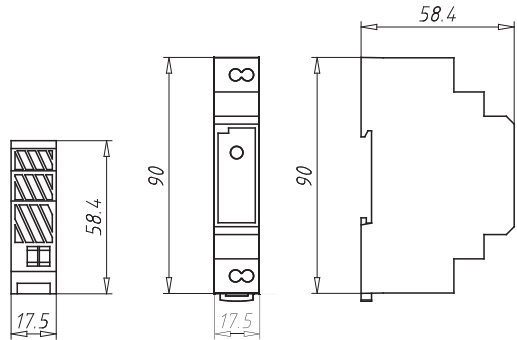
SIHGA® GmbH | Gewerbestraße Kleinreith 4 | 4694 Ohlsdorf bei Gmunden | AUSTRIA  
Tel.: +43 7612 / 74 370 - 0 | E-Mail: info@sihga.com | [www.sihga.com](http://www.sihga.com)

1

Packaging unit:  
Top-hat rail mounting possible  
On top-hat rail:

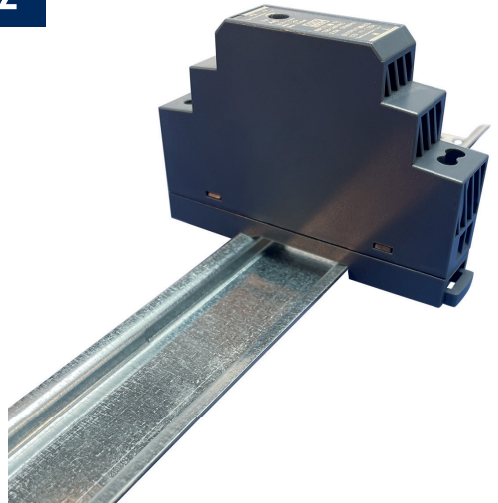
1 pc

1 DU\*



\*DU = Dividing unit (18 mm)

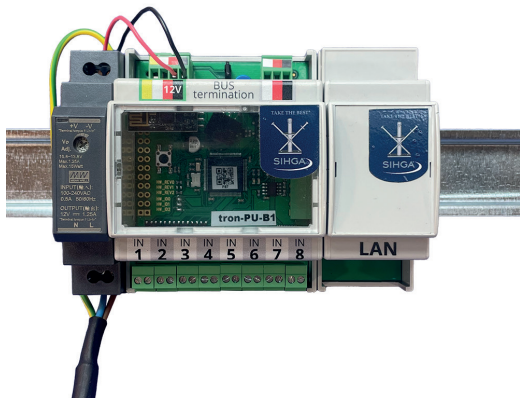
2



3

## Connection to electronics

power supply    processor unit    LAN-module



4

## Mains connection

**! ATTENTION! 230V connection may only be done by a qualified electrician**



Low voltage 12V

**V+** red + 12V

**V-** black - 12V

230V

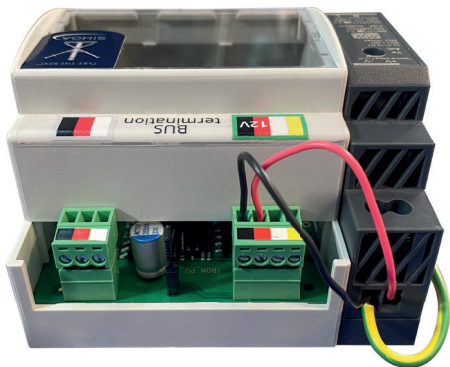
**N** neutral conductor

**L** phase

**PE** earthing/functional earthing is clamped to V

5

## Power supply connection detail



6

## Power supply status LED

- currentless
- under voltage

