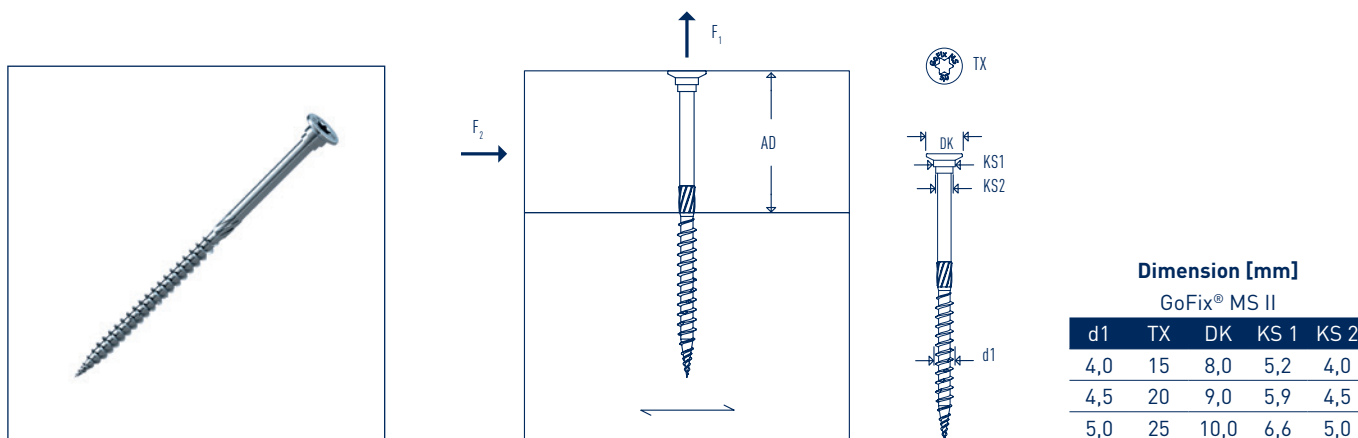


GoFix[®] MS II (4,0/ 4,5/ 5,0)

TECHNICAL DATA SHEET



SIHGA [®] montagepack		Dimension GoFix [®] MS II	Installation Part AD	Characteristic Values*			
Art. No.	PU	d1 x L	[mm]	Tensile Force F _t [kN]		Shear Force F _s [kN]	
				Head	Thread	Wood-Wood	Steel-Wood
44056	500	4,0 x 30	12	1,04	1,04	0,75	1,10
44066	500	4,0 x 35	14	1,13	1,22	0,79	1,23
44076	500	4,0 x 40	16	1,13	1,39	0,82	1,29
44086	500	4,0 x 45	18	1,13	1,57	0,84	1,29
44096	500	4,0 x 50	20	1,13	1,74	0,87	1,29
44106	500	4,0 x 60	24	1,13	2,09	0,94	1,29
44226	400	4,5 x 50	20	1,39	1,89	1,01	1,52
44236	400	4,5 x 60	24	1,39	2,27	1,09	1,52
44246	300	4,5 x 70	28	1,39	2,65	1,16	1,52
44316	200	5,0 x 50	20	1,67	2,07	1,20	1,92
44326	200	5,0 x 60	24	1,67	2,48	1,27	1,92
44336	200	5,0 x 70	28	1,67	2,90	1,34	1,92
44346	200	5,0 x 80	32	1,67	3,31	1,42	1,92
44356	200	5,0 x 90	36	1,67	3,73	1,48	1,92
44366	200	5,0 x 100	40	1,67	4,14	1,48	1,92
44376	200	5,0 x 120	50	1,67	4,83	1,48	1,92

Subject to technical modifications and errors. Status of approval 12.2022

* characteristic values for measurement according to EC 5, bulk density $\rho_k = 350 \text{ kg/m}^3$ [C24]



DETAILS

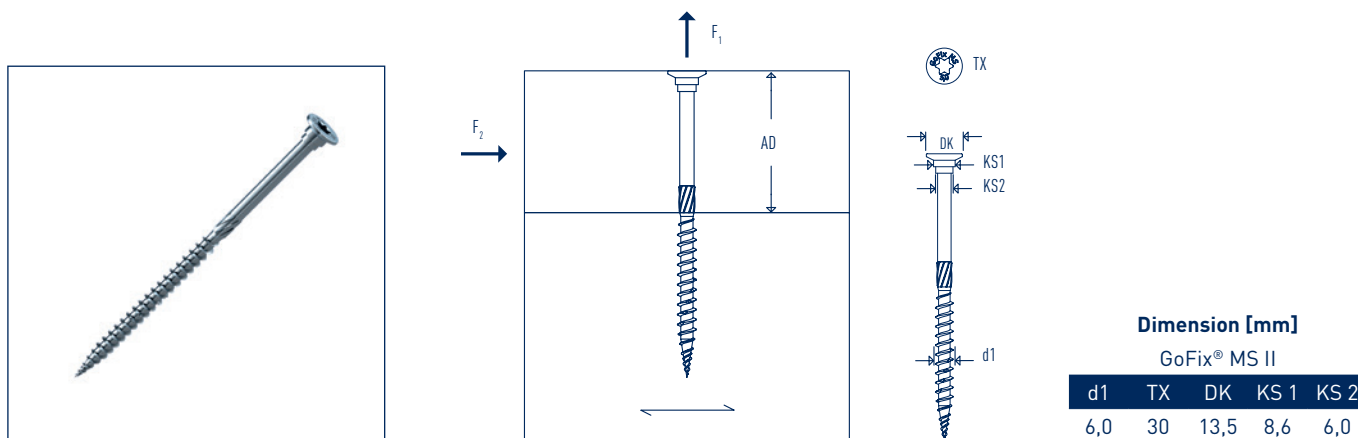
- special thread geometry - optimal traction in the end grain
- fastens pressure-resistant insulation materials for on-rafter insulation (above 50 kPa)
- screwing permissible from 0° to 90° to the grain

ETA-20/0558



GoFix[®] MS II (6,0)

TECHNICAL DATA SHEET



SIHGA [®] montagepack		Dimension GoFix [®] MS II	Installation Part AD	Characteristic Values*			
Art. No.	PU	d1 x L	[mm]	Tensile Force F _t [kN]		Shear Force F _s [kN]	
				Head	Thread	Wood-Wood	Steel-Wood
44406	100	6,0 x 70	28	2,97	3,38	1,90	2,87
44416	100	6,0 x 80	32	2,97	3,86	1,98	2,87
44426	100	6,0 x 90	36	2,97	4,34	2,06	2,87
44436	100	6,0 x 100	40	2,97	4,82	2,15	2,87
44446	100	6,0 x 120	50	2,97	5,63	2,25	2,87
44456	100	6,0 x 140	70	2,97	5,63	2,25	2,87
44466	100	6,0 x 160	90	2,97	5,63	2,25	2,87
44476	100	6,0 x 180	110	2,97	5,63	2,25	2,87
44486	100	6,0 x 200	130	2,97	5,63	2,25	2,87

Subject to technical modifications and errors. Status of approval 12.2022

* characteristic values for measurement according to EC 5, bulk density $\rho_k = 350 \text{ kg/m}^3$ (C24)



DETAILS

- special thread geometry - optimal traction in the end grain
- screwing permissible from 0° to 90° to the grain

ETA-20/0558



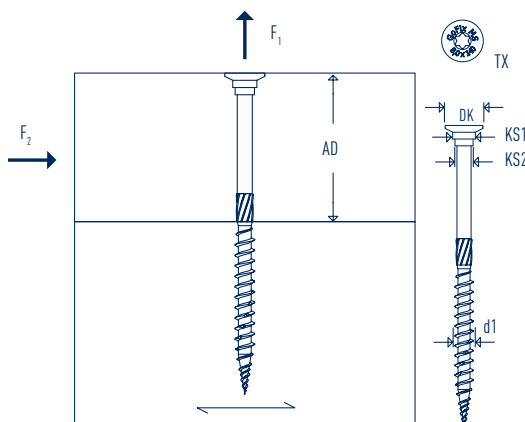
TAKE THE BEST





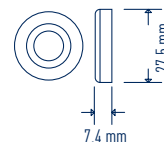
GoFix[®] MS II (8,0)

TECHNICAL DATA SHEET



Dimension [mm]

GoFix [®] MS II				
d1	TX	DK	KS 1	KS 2
8,0	40	18,3	11,6	8,0



SIHGA [®]	Dimension	Characteristic Values*
montagepack	Washer MSZ	Tensile Force F ₁ [kN]
Art. No.	PU	d _{MSZ} [mm]
44696	75	27,5
		Washer MSZ
		9,1

SIHGA [®] montagepack		Dimension GoFix [®] MS II	Installation Part AD [mm]	Characteristic Values*			
Art. No.	PU	d1 x L		Tensile Force F ₁ [kN]		Shear Force F ₂ [kN]	
				Head	Thread	Wood-Wood	Steel-Wood
44506	75	8,0 x 80	30	4,96	4,96	2,96	4,66
44516	75	8,0 x 100	40	5,05	5,95	3,19	4,72
44526	75	8,0 x 120	50	5,05	6,94	3,44	4,72
44536	75	8,0 x 140	60	5,05	7,94	3,71	4,72
44546	75	8,0 x 160	70	5,05	8,93	3,71	4,72
44556	75	8,0 x 180	80	5,05	9,92	3,71	4,72
44566	75	8,0 x 200	100	5,05	9,92	3,71	4,72
44576	75	8,0 x 220	120	5,05	9,92	3,71	4,72
44586	75	8,0 x 240	140	5,05	9,92	3,71	4,72
44596	75	8,0 x 260	160	5,05	9,92	3,71	4,72
44606	75	8,0 x 280	180	5,05	9,92	3,71	4,72
44616	75	8,0 x 300	200	5,05	9,92	3,71	4,72
44626	75	8,0 x 320	220	5,05	9,92	3,71	4,72
44636	75	8,0 x 340	240	5,05	9,92	3,71	4,72
44646	75	8,0 x 360	260	5,05	9,92	3,71	4,72
44656	75	8,0 x 380	280	5,05	9,92	3,71	4,72
44666	75	8,0 x 400	300	5,05	9,92	3,71	4,72
44676	75	8,0 x 450	350	5,05	9,92	3,71	4,72
44686	75	8,0 x 500	400	5,05	9,92	3,71	4,72

Subject to technical modifications and errors. Status of approval 12.2022
 * characteristic values for measurement according to EC 5, bulk density pk = 350 kg/m³ (C24)



DETAILS

- special thread geometry - optimal traction in the end grain
- screwing permissible from 0° to 90° to the grain

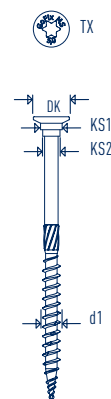
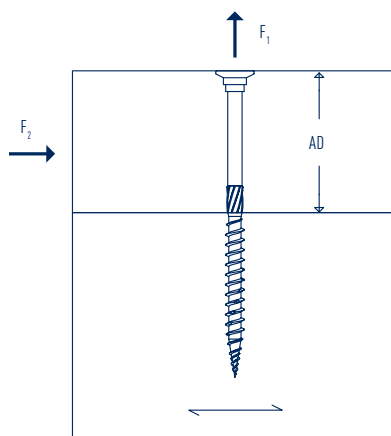


TAKE THE BEST



GoFix[®] MS II (10,0)

TECHNICAL DATA SHEET



Dimension [mm]

GoFix[®] MS II

d1	TX	DK	KS 1	KS 2
10,0	50	22,5	14,4	10,0

SIHGA [®] montagepack		Dimension GoFix [®] MS II	Installation Part AD	Characteristic Values*		Characteristic Values*	
Art. No.	PU	d1 x L	[mm]	Tensile Force F ₁ [kN]	Shear Force F ₂ [kN]	Wood-Wood	Steel-Wood
				Head	Thread		
44706	50	10,0 x 80	30	5,75	5,75	3,49	5,57
44716	50	10,0 x 100	40	6,90	6,90	4,16	6,34
44726	50	10,0 x 120	50	7,09	8,05	4,48	6,39
44736	50	10,0 x 140	60	7,09	9,20	4,79	6,39
44746	50	10,0 x 160	70	7,09	10,35	5,04	6,39
44756	50	10,0 x 180	80	7,09	11,50	5,04	6,39
44766	50	10,0 x 200	100	7,09	11,50	5,04	6,39
44776	50	10,0 x 220	120	7,09	11,50	5,04	6,39
44786	50	10,0 x 240	140	7,09	11,50	5,04	6,39
44796	50	10,0 x 260	160	7,09	11,50	5,04	6,39
44806	50	10,0 x 280	180	7,09	11,50	5,04	6,39
44816	50	10,0 x 300	200	7,09	11,50	5,04	6,39
44826	50	10,0 x 320	220	7,09	11,50	5,04	6,39
44836	50	10,0 x 340	240	7,09	11,50	5,04	6,39
44846	50	10,0 x 360	260	7,09	11,50	5,04	6,39
44856	50	10,0 x 400	300	7,09	11,50	5,04	6,39
44866	50	10,0 x 450	350	7,09	11,50	5,04	6,39
44876	50	10,0 x 500	400	7,09	11,50	5,04	6,39
44886	50	10,0 x 550	450	7,09	11,50	5,04	6,39
44896	50	10,0 x 600	500	7,09	11,50	5,04	6,39

Subject to technical modifications and errors. Status of approval 12.2022

* characteristic values for measurement according to EC 5, bulk density $\rho_k = 350 \text{ kg/m}^3$ (C24)



DETAILS

- special thread geometry - optimal traction in the end grain
- screwing permissible from 0° to 90° to the grain

ETA-20/0558



TAKE THE BEST



Leitbetrieb Österreich Leitbetrieb Deutschland