

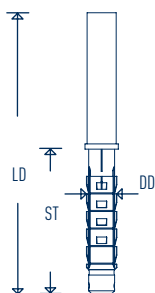
BeziFix[®] Therm BT

TECHNICAL DATA SHEET



SIHGA [®]		Dimension	Insulation	Example Calculation	
montagepack		BeziFix [®] Therm BT	max.	Total Weight of Facade	Fastening Distance
Art. No.	PU	d1 x L	[mm]	[kg/m ²]	EV [cm]
29096	50	7,2 x 220	100	25	160
29106	50	7,2 x 240	120	25	147
29116	50	7,2 x 260	140	25	129
29126	50	7,2 x 280	160	25	115
29136	50	7,2 x 300	180	25	104
29146	50	7,2 x 320	200	25	95
29156	50	7,2 x 340	220	25	87
29166	50	7,2 x 360	240	25	81
29176	50	7,2 x 380	260	25	75
29186	50	7,2 x 400	280	25	70
29196	50	7,2 x 420	300	25	66

Bemessung mit Windsog 0,8 kN/m² - Konterlatte 50 x 80 mm C 24 - horizontaler Abstand 600 mm
 Mengenermittlung = m²: Abstand Substructure [m]: Abstand EV [m] x 2



SIHGA [®]		Dimension	Seat Depth	Drill Length	Drill Length	Drill Length	Correct Screw Length	Base
montagepack		BeziFix [®] Anchor TR	ST	Hozibo [®]	Stabebo	SDS-Hammer drill	BeziFix [®] Therm BT	
Art. No.	PU	Type	DD x LD [mm]	[mm]	[mm]	[mm]	[mm]	
29216	50	TRH 450	10 x 100	60	450	-	220 - 360	Brick*
29276	50	TRS 450	10 x 100	60	-	450	220 - 360	Concrete
29226	50	TR 600	10 x 100	60	-	600	380 - 420	Brick*, Concrete

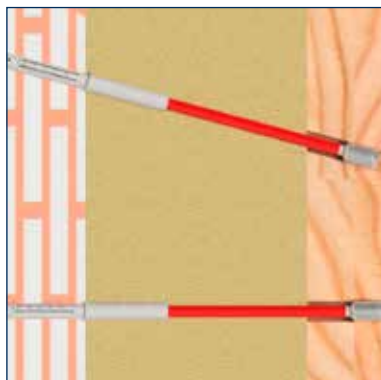
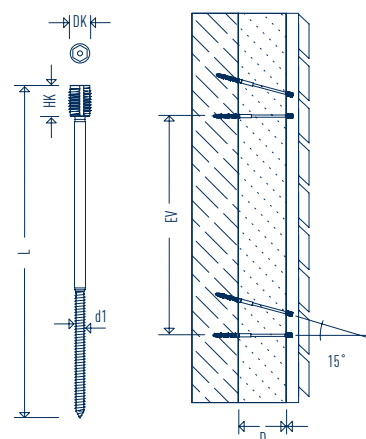
*these include: solid brick, perforated brick, lightweight concrete, Pore drilling, foam concrete, Sand-lime brick; only rotating drill in bricks

Dimension [mm]

BeziFix[®] Therm BT

d1	DK	HK	BK
7,2	16	20	13

BK = rilling diameter for head DK



DETAILS

- takes the entire load of the facade covering
- fastens on wood or brickwork with the BeziFix[®] Therm TR dowel

